

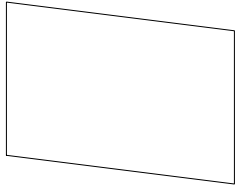
 **ASSEMBLY INSTRUCTIONS** 
DO NOT THROW AWAY!

INSTRUCCIONES DE ENSEMBLAJE
NO LA TIRE

INSTRUCTIONS DE MONTAGE
NE PAS JETER

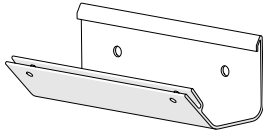
Parts List

P1 - Glass Board



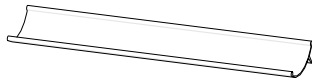
x1

P2 - Tray Mount



x1

P3 - Tray



x1

Hardware

A - Outer Cap



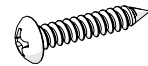
x6/8/10

B - Wall Mount



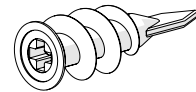
x6/8/10

C - M5 x 34mm



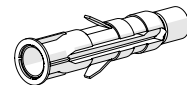
x8/10/12

D - Drywall Anchor



x6/8/10

E - Masonry Anchor



x6/8/10

F - M6 x 10mm



x2

WARNINGS AND DISCLAIMERS

Review full assembly instructions and check that all parts are present before beginning assembly. Heavy or large furniture may require multiple persons in order to properly assemble. If you have questions regarding assembly, contact the manufacturer before continuing. Damage due to incorrect assembly may not be covered by warranty. Do not use product unless all screws are tight. Check all screws for tightness at least every six months. If parts are broken, missing, damaged, or worn, stop use of the product until repairs are made by your dealer using factory authorized parts.

ADVERTENCIAS Y RENUNCIAS

Previo a comenzar el proceso de ensamblaje favor de revisar las instrucciones y asegurarse que cuenta con todas las partes y materiales necesarios. Es posible que los muebles grandes o pesados, requieran mas de una persona para ensamblarlos correctamente. Por favor contacte al fabricante directamente si tiene alguna duda o pregunta antes de continuar con el proceso de armado del producto. La garantía no cubrirá daños que ocurrieron por errores cometidos durante el proceso de ensamblaje. Todos los tornillos deben estar ajustados previo el uso del producto. Debe revisar los tornillos periódicamente, por lo menos cada seis meses y asegurarse de que estén bien ajustados. Por favor detenga el uso del producto si partes del producto se pierden, rompen, se deterioran por uso o se rompen. Favor de contactar a su distribuidor para que le envíen las partes necesarias o realice las reparaciones necesarias con partes autorizadas por el fabricante.

AVERTISSEMENTS

Avant de commencer l'assamblage veuillez consulter les instructions complètes et vérifier si vous avez toutes les pièces nécessaires. Il est possible que plusieurs personnes soient nécessaires pour assemble des meubles grand ou lourds. En cas de doute sur l'assamblage contactez le fabricant avant de continuer. Les dommages encourus pendant l'assamblage ne seront pas couvert par la garantie. Ne pas utiliser le produit sans vérifier que tous les vis soient serrées. Vérifiez que les vis sont serrées au moins tous le 6 mois. Si aucune pièce se casse, manque, est endommagée ou usée, arrêtez d'utiliser de produit jusqu'à ce que le vendeur le repaire a l'aide de pièces autorisées par la fabricant.

WARRANTY

For full product warranty details, please visit:

Para obtener información sobre la garantía del producto, consulte este sitio (ingles):

Pour plus d'informations sur la garantie du produit, consultez ce site (anglais):

<http://moorecoinc.com/warranty>

CARE & MAINTENANCE

For questions on assembly or missing/damaged parts, please contact us using the following information.

Para preguntas sobre el ensamblaje o piezas faltantes o dañadas, por favor contáctenos usando la siguiente información.

Pour toute question sur le montage l'assamblage manquantes ou endommagées, veuillez nous contacter en utilisant les l'information ci-dessous.

Email:

support@moorecoinc.com

Phone:

1.800.749.2258

(Monday - Friday, 8AM - 5PM

Central Time)

PRODUCT REGISTRATION

To register your product for warranty, please visit:

Para registrar la garantía del producto, vea este sitio (en ingles):

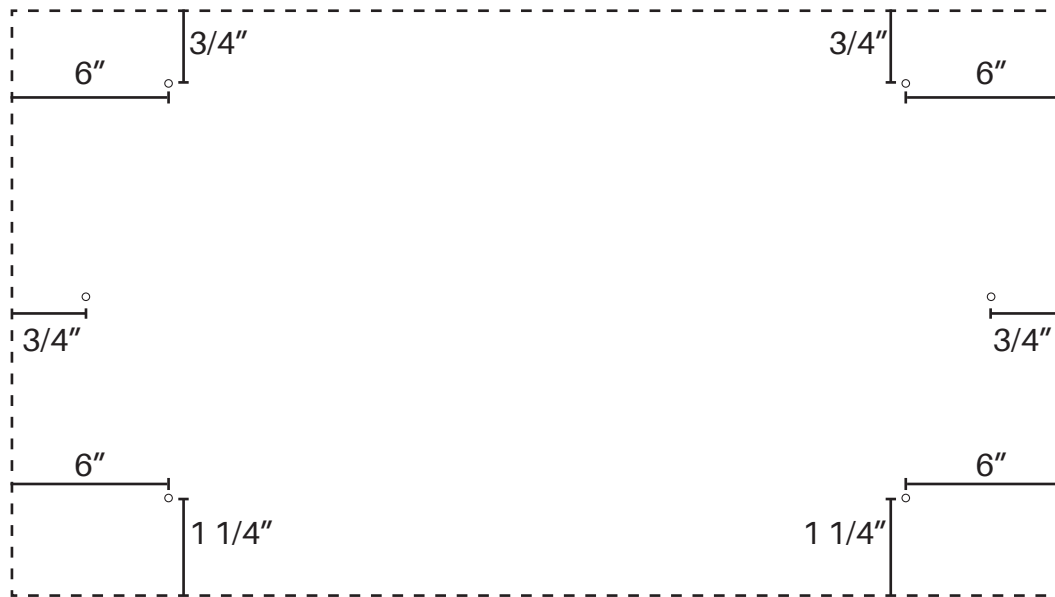
Pour enregistrer la garantie de votre produit, consultez ce site (en anglais):

<https://moorecoinc.com/register>

STEP 1

Measure your board dimensions and draw an outline of where the board will be located on your wall. Pre-drill holes for wall mount clips at the locations shown below. Drill $1/8''$ holes where studs are located and $1/4''$ holes when drilling into drywall. If installing board in masonry drill only $1/4''$ holes. For 6 ft or 8 ft boards see next step for additional pre-drill placement.

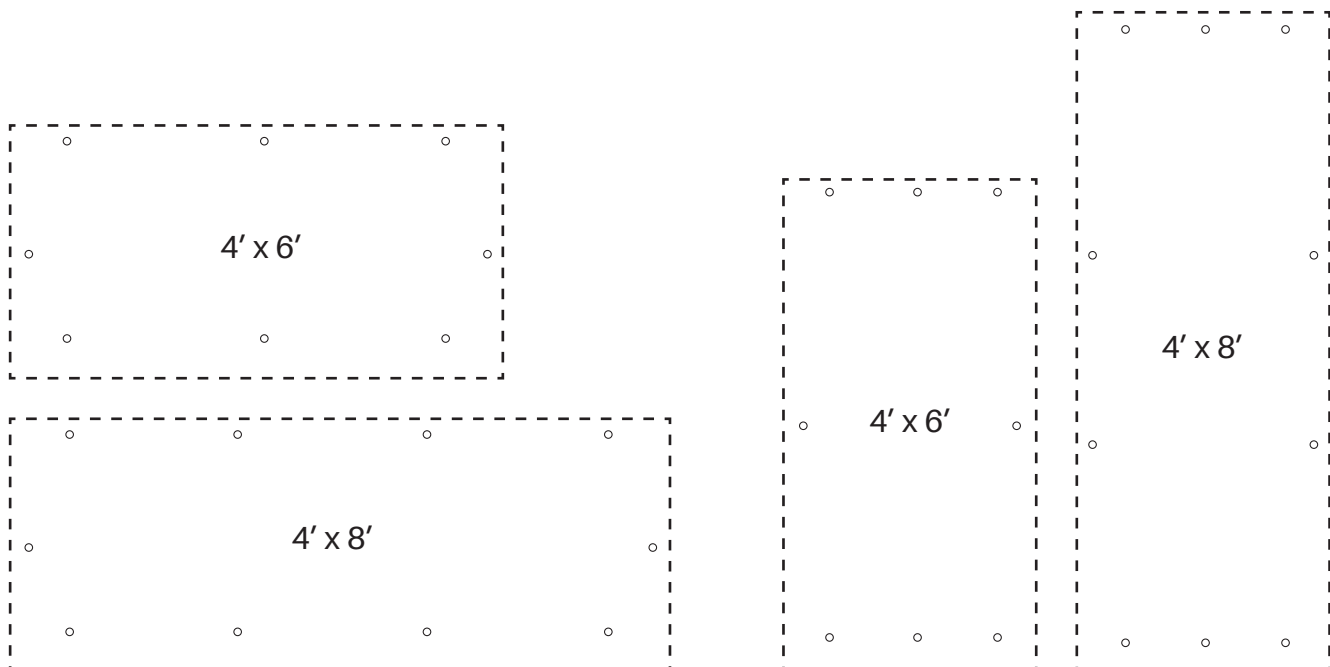
Top Edge of Board



Bottom Edge of Board

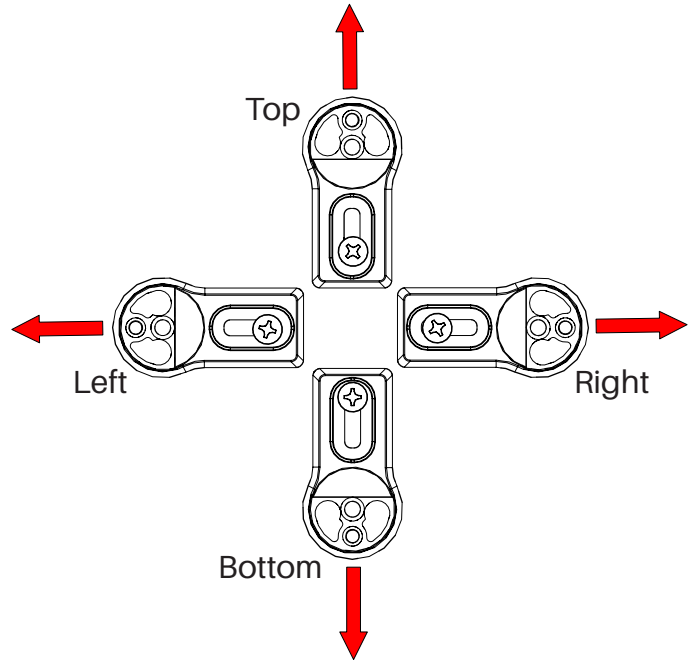
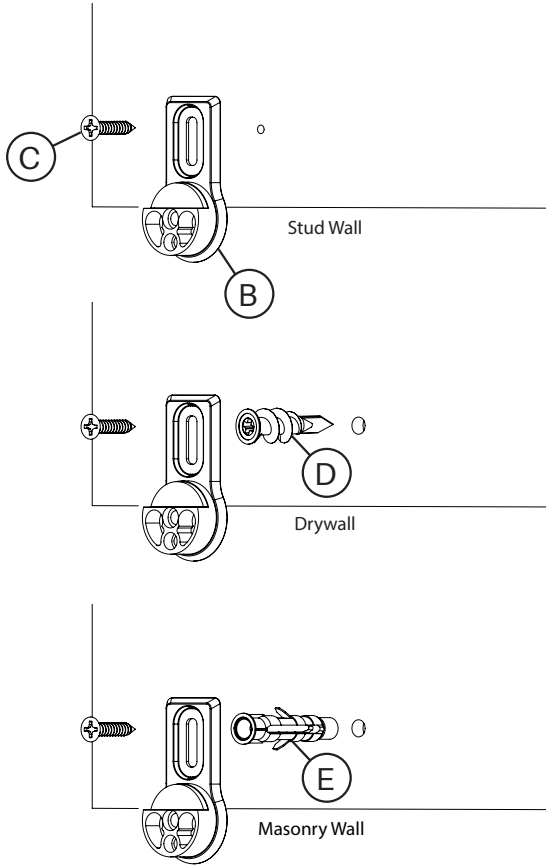
STEP 2

For 6 ft and 8 ft long boards add holes for additional wall mount clips along long edges of boards. 6 ft boards will get two additional clips and 8 ft boards will get four additional clips equally spaced as shown. Spacing from top, bottom, and left and right edges of boards will be the same as previous step.



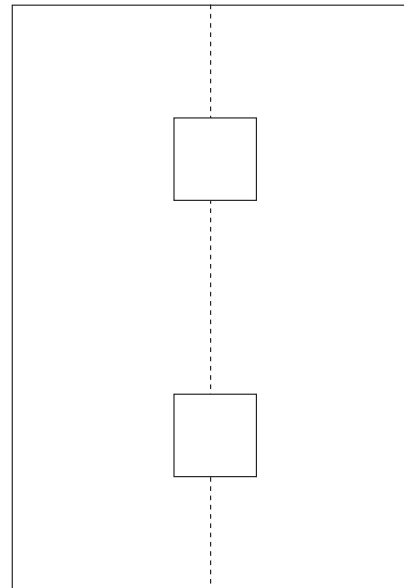
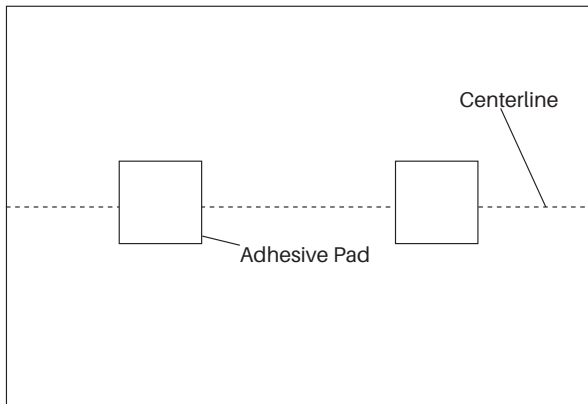
STEP 3

With caps removed, attach the wall mounts with necessary hardware as required for installation. Do not screw any of the mounts so tightly that they are unable to slide. After installation slide all mounts outward so that each screw is at inside edge of slot. Screws should be tight enough to hold all mounts in place.



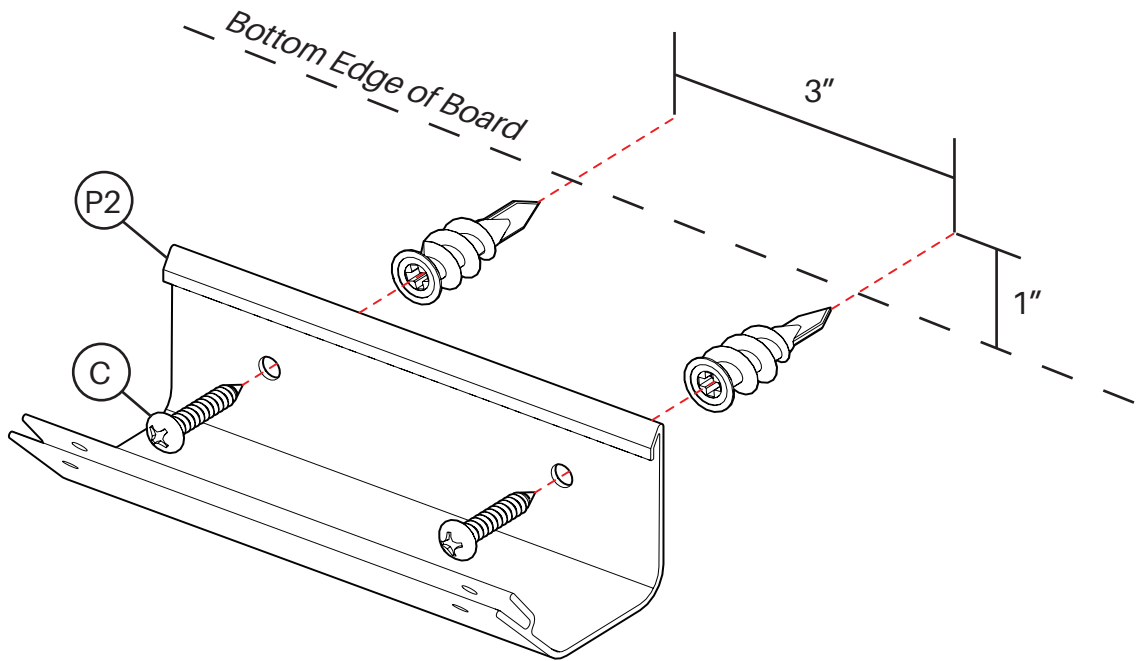
STEP 4

Place adhesive pads along backside of board. Use two pads per board equally spaced along the center. For 6' and 8' long boards installed vertically, space pads along the long axis. If installing tray continue to next page otherwise skip to Step 5.

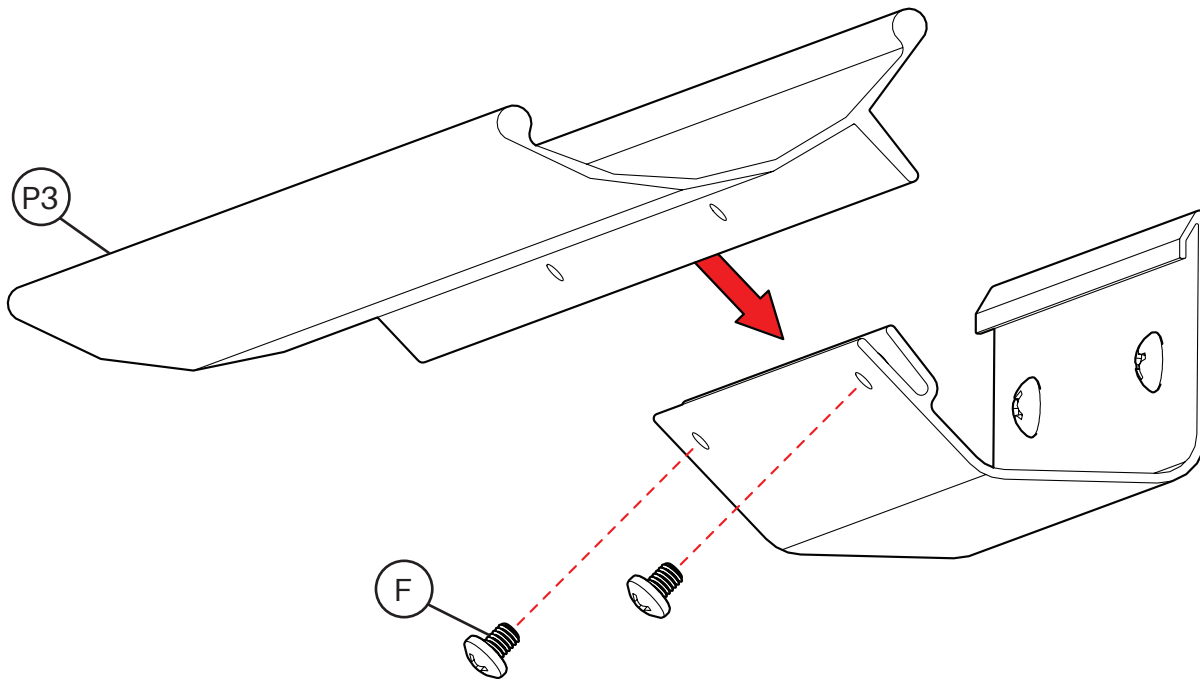


Tray - STEP 1

Drill two holes 3" apart, 1" above the bottom edge of where your board will be. Secure the Tray Mount (P2) with two screws (D) and inserts, as required.

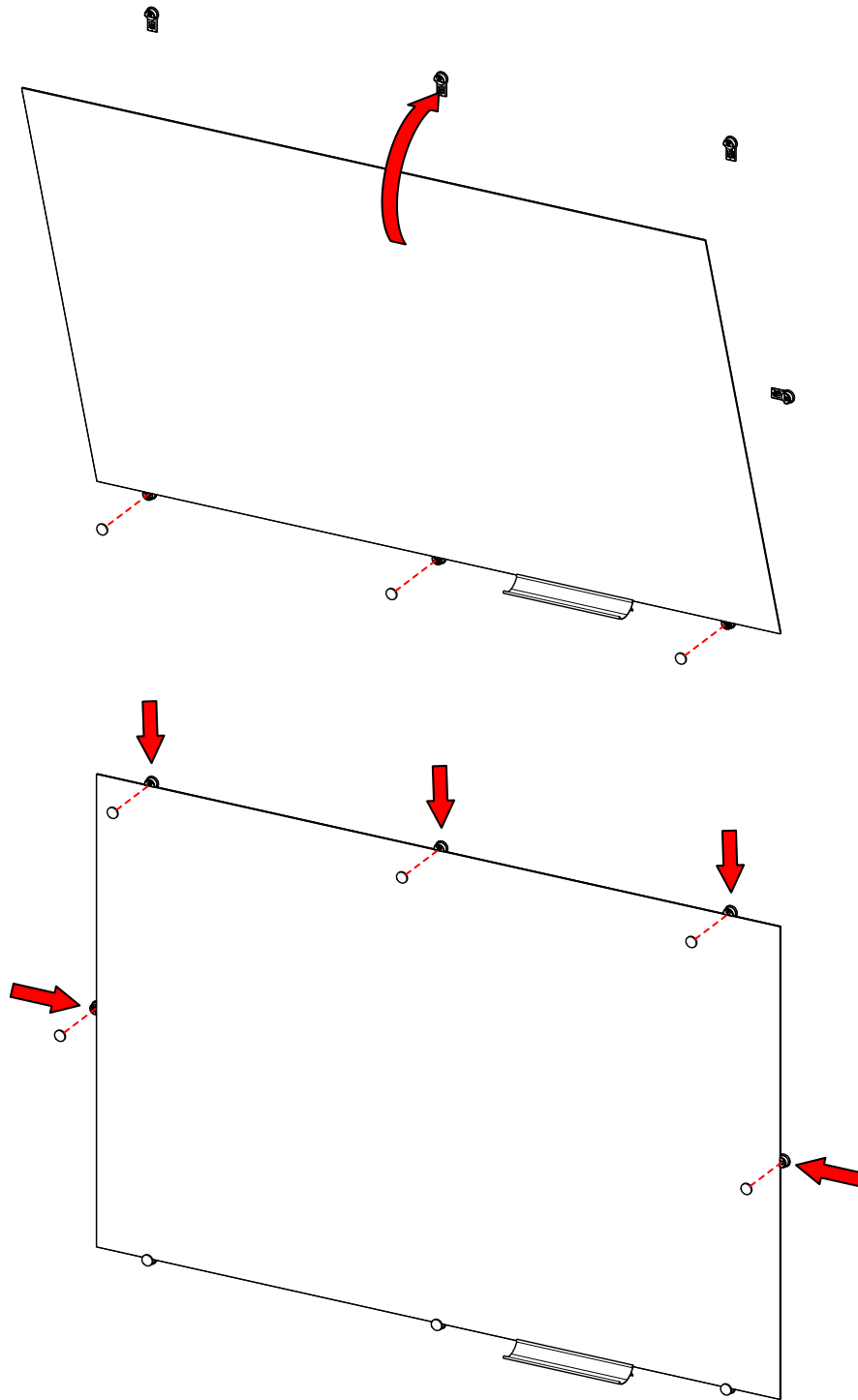


Tray - STEP 2



STEP 5

Remove adhesive backer from pads. Place board into lower mounts and secure the outer caps, then tilt back into the top mounts and push them down. Screw in top outer caps to hold panel in place. Finally push in left and right side mounts and screw in outer caps to secure panel. Apply pressure to front face of board to engage adhesive pads with wall and lock board in place.



THIS COMPLETES ASSEMBLY INSTRUCTION