







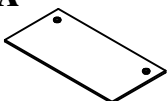
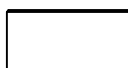
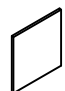
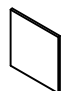
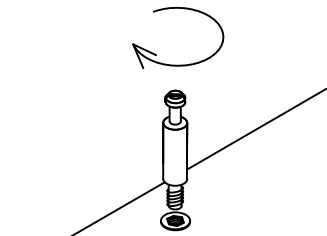
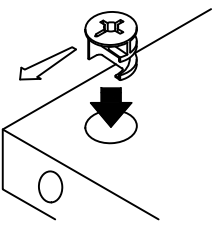
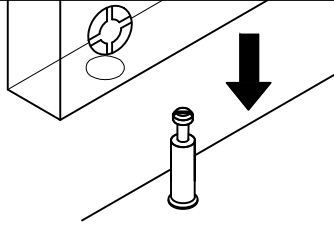


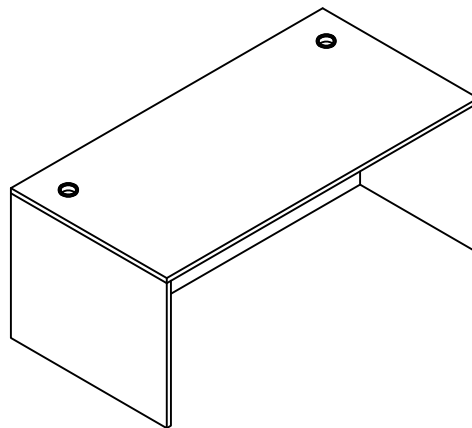
Please follow these instructions for easy assembly.

1  Cam Lock 10 Pcs	2  Klix Cam 10 Pcs	3  Housing Cap (Short) 6 Pcs	4  Housing Cap (Long) 4 Pcs	5  Adjustable Glide 4 Pcs	6  6 Hole L-Bracket 5 Pcs	7  Screw #6 x 5/8" 30 Pcs	8  M4 x 65 Allen-Key 1 Pc
--	---	---	--	--	--	---	--

A  Top Panel	B  Back Panel	C  Left Side Panel	D  Right Side Panel
--	---	--	---

KLIX CAM INSTRUCTIONS

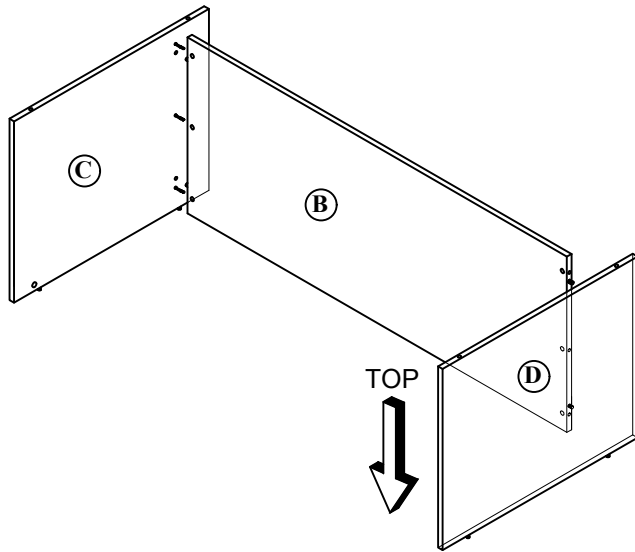
1  Line up Cam Lock, turn clockwise.	2  Insert the cam with the arrow pointing towards the hole in the edge.	3  Insert the Cam Lock into Klix Cam. Turn Klix Cam to lock.
---	--	---



IMPORTANT :

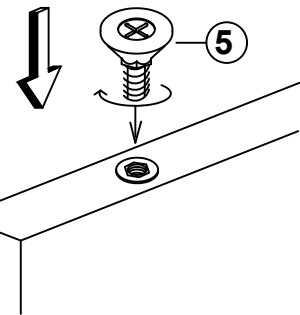
- Place all wooden parts on a clean and smooth surface such as a rug or carpet to avoid the parts from being scratched.
- Check to be sure that you have all parts and hardware.
- Remove all wrapping materials, including staples & packing straps before you start to assemble.
- Do not tighten screws/bolts until the unit is completely assembled.
- Keep all hardware parts out of reach of children.

1



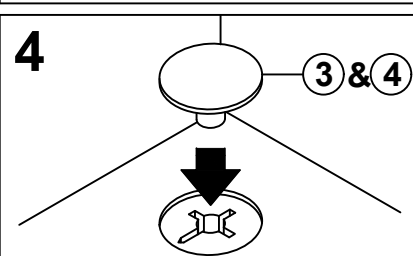
Turn Top Panel (A) upside down and insert Cam Lock pins (1) into top panel and into side panels (C,D). Insert Klix Cams (2) in Side Panels (C,D) and back panel (B). Attach Back Panel (B) to side panels (C,D) and Top Panel (A). Turn Klix Cam to tighten.

3



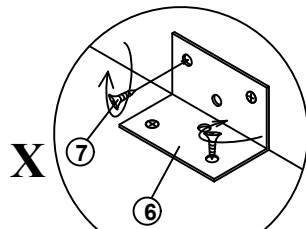
Screw Adjustable Glides(5) into bottom of Side Panel.

4

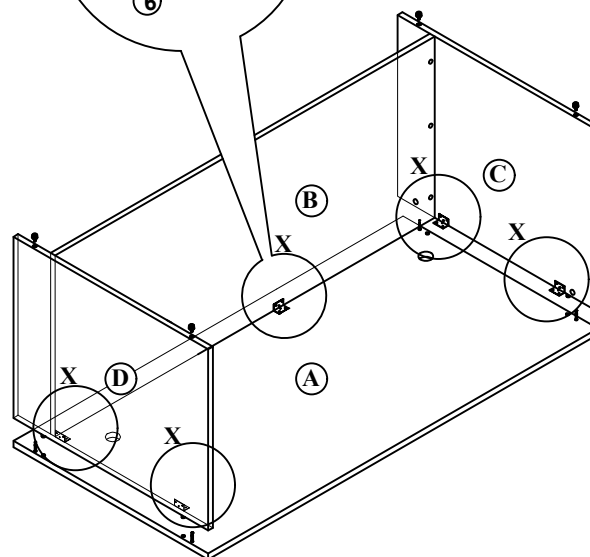


Attach Housing Cap(3) & (4) to each Klix Cam(2) by pushing the neck through the center of the Klix Cam.

2



Attach L-Bracket(6) to Top Panel(A), Back Panel(B) and Side Panel(C,D) as shown by tighten Screws(7) securely.



Attach those Back Panel(B) and left right Side Panel(C,D) to Top Panel as same as Box 1.