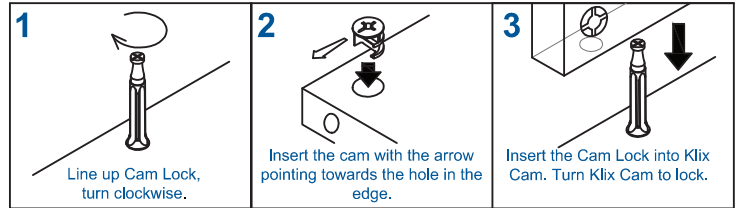
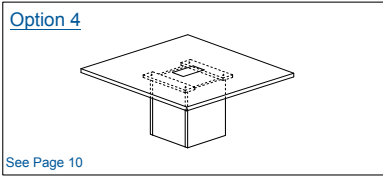
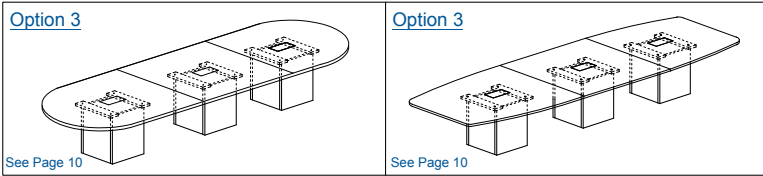
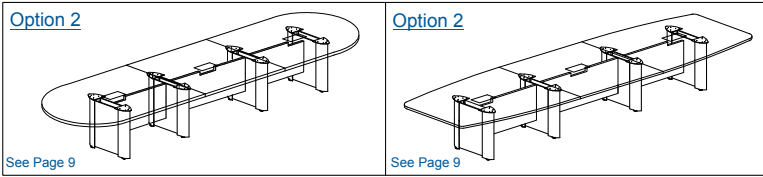
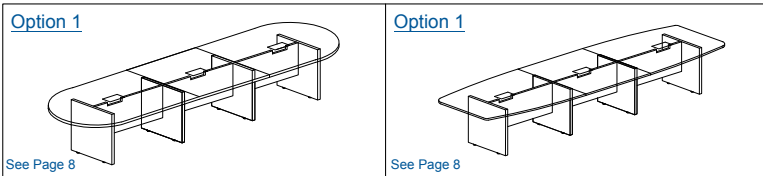
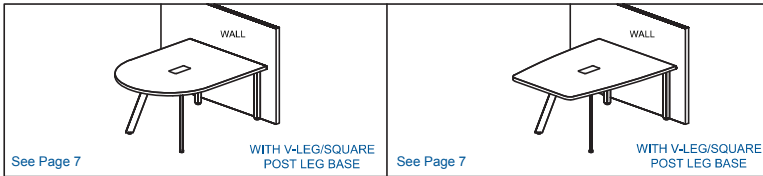
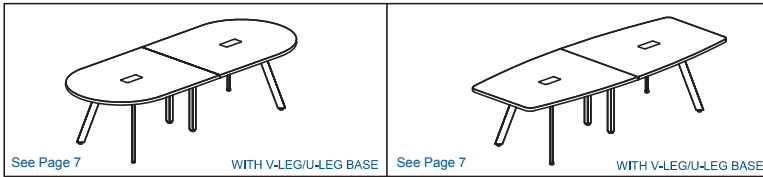
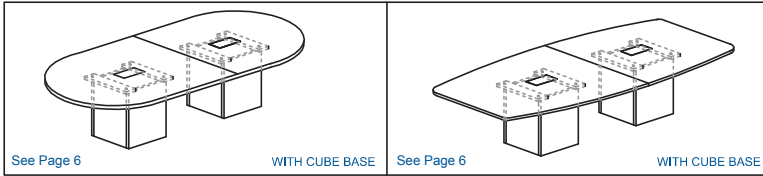
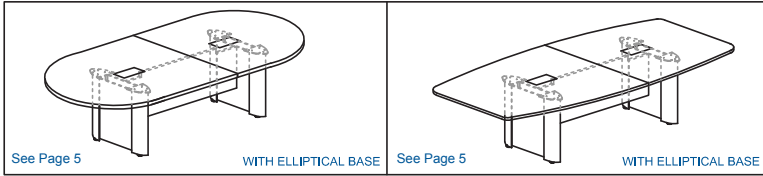
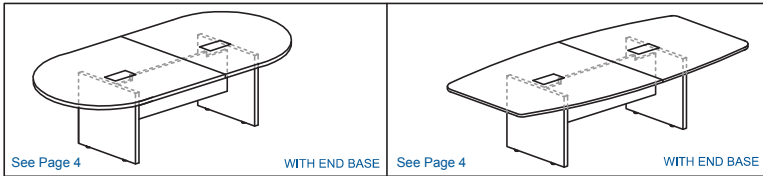


OfficeSource® ASSEMBLY INSTRUCTIONS

MODEL: PL137THALF + PL237THALF & PL139

1/2 RACETRACK / BOAT SHAPE TOP (REQUIRES BASE)

KLIX CAM INSTRUCTIONS



IMPORTANT NOTE :

- Place all wooden parts on a clean, smooth surface to prevent the parts from being scratched.
- Check to be sure that you have all parts and hardware.
- Remove all wrapping materials, including staples & packing straps before you start to assemble.
- Do not tighten all screws/bolts until all completely assembled.
- Keep all hardware parts out of reach of children.

MODEL: PL137THALF + PL237THALF

1/2 RACETRACK / BOAT SHAPE TOP (REQUIRES BASE)

COMPONENTS:

<p>FOR END BASE See Page 5</p>	<p>A Top Panel for PL 137T HALFX2 + B Modesty Panel + C END BASE x 2</p>
<p>FOR ELLIPTICAL BASE See Page 6</p>	<p>A Top Panel for PL 137T HALFX2 + B Modesty Panel + D Elliptical Base x 2</p>
<p>FOR CUBE BASE See Page 7</p>	<p>A Top Panel for PL 137T HALFX2 + E CUBE BASE x 2</p>
<p>FOR V-LEG/U-LEG BASE See Page 8</p>	<p>A Top Panel for PL 137T HALFX2 + F PLT-V-LEG X 2 + G PLTLEG-U + H PLT-RET SUPPORT X 8</p>
<p>FOR V-LEG/U-LEG BASE See Page 8</p>	<p>A Top Panel for PL 137T HALF + F PLT-V-LEG + I PLT Post Leg x 2 + H PLT-RET SUPPORT X 2</p>

HARDWARE:

<p>INCLUDED WITH TABLE TOP</p>	<table border="1"> <tr> <td>A1 6 Hole L-Bracket 6 Pcs</td> <td>A2 Flat-Bracket 2 Pcs</td> <td>A3 Screw #6 x 3/8" 48 Pcs</td> </tr> </table>	A1 6 Hole L-Bracket 6 Pcs	A2 Flat-Bracket 2 Pcs	A3 Screw #6 x 3/8" 48 Pcs					
A1 6 Hole L-Bracket 6 Pcs	A2 Flat-Bracket 2 Pcs	A3 Screw #6 x 3/8" 48 Pcs							
<p>INCLUDED WITH END BASES</p>	<table border="1"> <tr> <td>C1 Cam Lock 10 Pcs</td> <td>C2 Klix Cam 10 Pcs</td> <td>C3 Housing Cap (Long) 6 Pcs</td> <td>C4 Housing Cap (Short) 4 Pcs</td> <td>C5 Adjustable Glide 4 Pcs</td> <td>C6 6 Hole L-Bracket 4 Pcs</td> <td>C7 Screw #6 x 3/8" 24 Pcs</td> <td>C8 M4 x 65 Allen-Key 1 Pcs</td> </tr> </table>	C1 Cam Lock 10 Pcs	C2 Klix Cam 10 Pcs	C3 Housing Cap (Long) 6 Pcs	C4 Housing Cap (Short) 4 Pcs	C5 Adjustable Glide 4 Pcs	C6 6 Hole L-Bracket 4 Pcs	C7 Screw #6 x 3/8" 24 Pcs	C8 M4 x 65 Allen-Key 1 Pcs
C1 Cam Lock 10 Pcs	C2 Klix Cam 10 Pcs	C3 Housing Cap (Long) 6 Pcs	C4 Housing Cap (Short) 4 Pcs	C5 Adjustable Glide 4 Pcs	C6 6 Hole L-Bracket 4 Pcs	C7 Screw #6 x 3/8" 24 Pcs	C8 M4 x 65 Allen-Key 1 Pcs		
<p>INCLUDED WITH ELLIPTICAL BASES</p>	<table border="1"> <tr> <td>D1 Cam Lock 6 Pcs</td> <td>D2 Klix Cam 6 Pcs</td> <td>D3 Housing Cap (Long) 6 Pcs</td> <td>D4 Adjustable Glide 4 Pcs</td> <td>D5 6 Hole L-Bracket 4 Pcs</td> <td>D6 Screw #6 x 3/8" 24 Pcs</td> <td>D7 M4 x 65 Allen-Key 1 Pcs</td> <td>D8 CSK Screw M3.5 x 20MM 16 Pcs</td> </tr> </table>	D1 Cam Lock 6 Pcs	D2 Klix Cam 6 Pcs	D3 Housing Cap (Long) 6 Pcs	D4 Adjustable Glide 4 Pcs	D5 6 Hole L-Bracket 4 Pcs	D6 Screw #6 x 3/8" 24 Pcs	D7 M4 x 65 Allen-Key 1 Pcs	D8 CSK Screw M3.5 x 20MM 16 Pcs
D1 Cam Lock 6 Pcs	D2 Klix Cam 6 Pcs	D3 Housing Cap (Long) 6 Pcs	D4 Adjustable Glide 4 Pcs	D5 6 Hole L-Bracket 4 Pcs	D6 Screw #6 x 3/8" 24 Pcs	D7 M4 x 65 Allen-Key 1 Pcs	D8 CSK Screw M3.5 x 20MM 16 Pcs		
<p>INCLUDED WITH CUBE BASE</p>	<table border="1"> <tr> <td>E1 Cam Lock 16 Pcs</td> <td>E2 Klix Cam 16 Pcs</td> <td>E3 Housing Cap (Long) 16 Pcs</td> <td>E4 JCB Screw M6 x 40mm = 4pcs Washer = 4pcs</td> <td>E5 Adjustable Glide 6 Pcs</td> <td>E6 M4 x 65 Allen-Key 1 Pcs</td> </tr> </table>	E1 Cam Lock 16 Pcs	E2 Klix Cam 16 Pcs	E3 Housing Cap (Long) 16 Pcs	E4 JCB Screw M6 x 40mm = 4pcs Washer = 4pcs	E5 Adjustable Glide 6 Pcs	E6 M4 x 65 Allen-Key 1 Pcs		
E1 Cam Lock 16 Pcs	E2 Klix Cam 16 Pcs	E3 Housing Cap (Long) 16 Pcs	E4 JCB Screw M6 x 40mm = 4pcs Washer = 4pcs	E5 Adjustable Glide 6 Pcs	E6 M4 x 65 Allen-Key 1 Pcs				
<p>INCLUDED WITH V-LEG/U-LEG BASES</p>	<table border="1"> <tr> <td>F1 #6 x 15mm PH Cross Recess Screw 4 Pcs</td> <td>F2 Screw #4 x 16mm 16Pcs</td> <td>F3 M4 x 65 Allen-Key 1 Pcs</td> <td>G1 #6 x 15mm PH Cross Recess Screw 4 Pcs</td> <td>G2 Screw #4 x 16mm 16Pcs</td> <td>G3 M4 x 65 Allen-Key 1 Pcs</td> <td>H1 Screw #4 x 15mm 32Pcs</td> </tr> </table>	F1 #6 x 15mm PH Cross Recess Screw 4 Pcs	F2 Screw #4 x 16mm 16Pcs	F3 M4 x 65 Allen-Key 1 Pcs	G1 #6 x 15mm PH Cross Recess Screw 4 Pcs	G2 Screw #4 x 16mm 16Pcs	G3 M4 x 65 Allen-Key 1 Pcs	H1 Screw #4 x 15mm 32Pcs	
F1 #6 x 15mm PH Cross Recess Screw 4 Pcs	F2 Screw #4 x 16mm 16Pcs	F3 M4 x 65 Allen-Key 1 Pcs	G1 #6 x 15mm PH Cross Recess Screw 4 Pcs	G2 Screw #4 x 16mm 16Pcs	G3 M4 x 65 Allen-Key 1 Pcs	H1 Screw #4 x 15mm 32Pcs			
<p>INCLUDED WITH SQUARE POST LEG</p>	<table border="1"> <tr> <td>I1 Screw #4 x 15mm 4Pcs</td> </tr> </table>	I1 Screw #4 x 15mm 4Pcs							
I1 Screw #4 x 15mm 4Pcs									

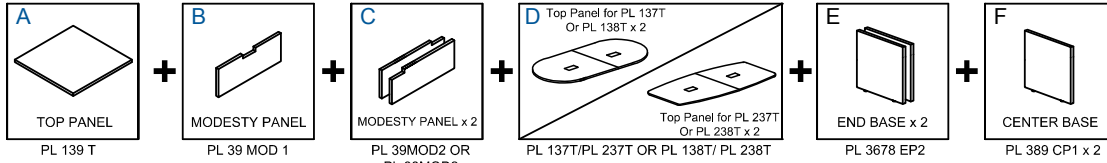
MODEL: PL139

RACETRACK / BOAT SHAPE CONFERENCE TABLES (REQUIRES BASE)

COMPONENTS:

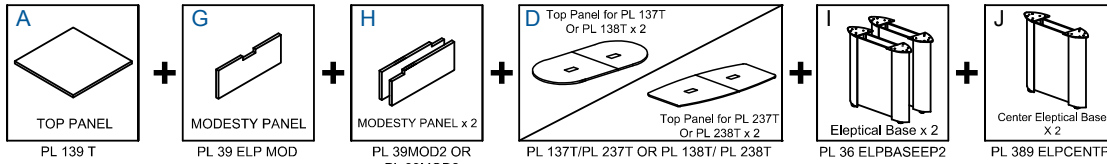
Option 1

See Page 9



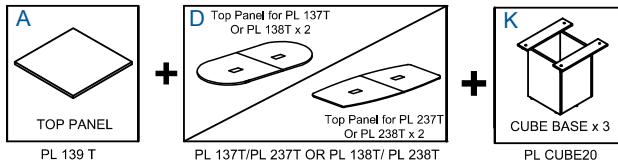
Option 2

See Page 10



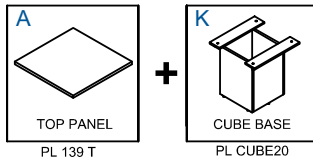
Option 3

See Page 11



Option 4

See Page 11



HARDWARE PACK PL 139 T							
A4 6 Hole L-Bracket 5 Pcs	A5 Flat Bracket 6 Pcs	A6 Screw #6 x 3/8 66 Pcs					
HARDWARE PACK PL 137 T/PL 237 T							
D1 KD Fitting 2 Pcs	D2 Klix Cam 4 Pcs	D3 Housing Cap (Long) 4 Pcs	D4 6 Hole L-Bracket 6 Pcs	D5 Flat Bracket 2 Pcs	D6 Screw #6 x 3/8 48 Pcs	D7 Fitting-GL Screw 2 Pcs	D8 Wrench 1 Pc
HARDWARE PACK PL 3678 EP2							
E1 Cam Lock 10 Pcs	E2 Klix Cam 10 Pcs	E3 Housing Cap (Long) 6 Pcs	E4 Housing Cap (Short) 4 Pcs	E5 Adjustable Glide 4 Pcs	E6 6 Hole L-Bracket 4 Pcs	E7 Screw #6 x 3/8 24 Pcs	E8 M4 x 65 Allen-Key 1 Pc
HARDWARE PACK PL 389 CP1 x 2							
F1 Cam Lock 6 Pcs	F2 Klix Cam 6 Pcs	F3 Housing Cap (Long) 4 Pcs	F4 Housing Cap (Short) 2 Pcs	F5 Adjustable Glide 2 Pcs	F6 6 Hole L-Bracket 4 Pcs	F7 Screw #6 x 3/8 24 Pcs	F8 M4 x 65 Allen-Key 1 Pc
HARDWARE PACK PL 36 ELPBASEEP2							
I1 Cam Lock 6 Pcs	I2 Klix Cam 6 Pcs	I3 Housing Cap (Long) 6 Pcs	I4 Adjustable Glide 4 Pcs	I5 6 Hole L-Bracket 4 Pcs	I6 Screw #6 x 3/8 24 Pcs	I7 M4 x 65 Allen-Key 1 Pc	I8 CSK Screw M3.5 x 20MM 16 Pcs
HARDWARE PACK PL 3678 EP2							
J1 Cam Lock 10 Pcs	J2 Klix Cam 10 Pcs	J3 Housing Cap (Long) 6 Pcs	J4 Housing Cap (Short) 4 Pcs	J5 Adjustable Glide 4 Pcs	J6 6 Hole L-Bracket 4 Pcs	J7 Screw #6 x 3/8 24 Pcs	J8 M4 x 65 Allen-Key 1 Pc
HARDWARE PACK PL CUBE20							
K1 Cam Lock 16 Pcs	K2 Klix Cam 16 Pcs	K3 Housing Cap (Long) 16 Pcs	K4 JCBC Screw M6 x 40mm = 4pcs Washer = 4pcs	K5 Adjustable Glide 6 Pcs	K6 M4 x 65 Allen-Key 1 Pc		

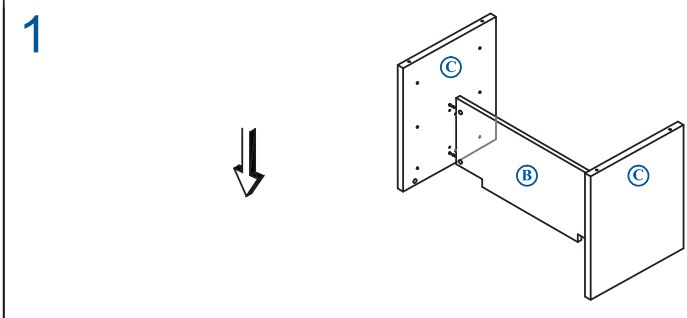
OfficeSource® ASSEMBLY INSTRUCTIONS

MODEL: PL137THALF + PL237THALF

1/2 RACETRACK / BOAT SHAPE TOP (REQUIRES BASE)

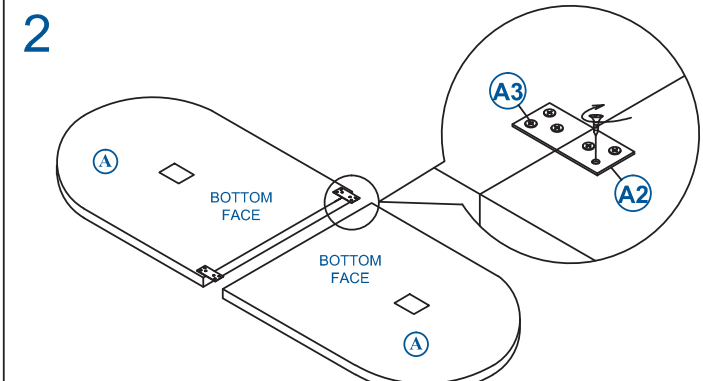
ASSEMBLING TABLE WITH END PANEL BASE

1



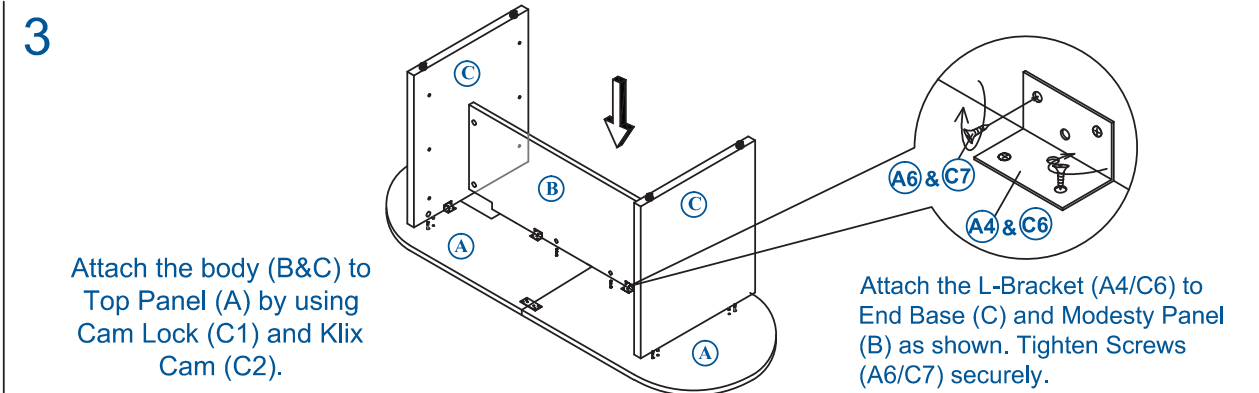
Attach the two End Base (C) to Modesty Panel (B) by using Cam Lock (C1) and Klix Cam (C2).

2



Attach the Flat-Bracket (A2) to two Top Panel (A) as shown. Tighten Screws (A3) securely.

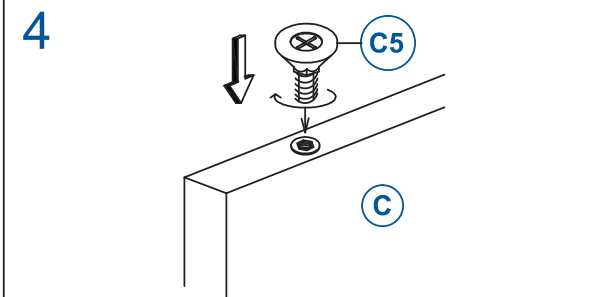
3



Attach the body (B&C) to Top Panel (A) by using Cam Lock (C1) and Klix Cam (C2).

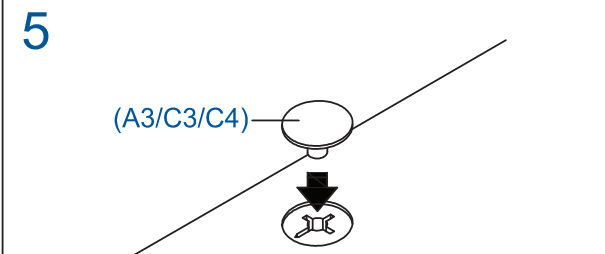
Attach the L-Bracket (A4/C6) to End Base (C) and Modesty Panel (B) as shown. Tighten Screws (A6/C7) securely.

4



Screw Adjustable Glide (C5) into bottom of End Base (C).

5



Attach Housing Cap (A3/C3/C4) to all Klix Cam (A2/C2) by pushing neck through center of cam.

OfficeSource® ASSEMBLY INSTRUCTIONS

MODEL: PL137THALF + PL237THALF

1/2 RACETRACK / BOAT SHAPE TOP (REQUIRES BASE)

ASSEMBLING TABLE WITH ELLIPTICAL BASE

1

Screw Adjustable Glides (D4)&(F4) into bottom of Elliptical Bases (D)&(F).

Attach metal plate to Elliptical Base (D)&(F) with included screws.

2

Attach 2 Pcs Elliptical Base (D) to Modesty Panel (B) by using Cam Lock (D1) and Klix Cam (D2).

3 Attach the Flat-Bracket (A5) to two Top Panel (A) as shown. Tighten Screws (A6) securely.

4

Attach Top Panel (A) to Modesty Panel (B) by using Cam Lock (D1) and Klix Cam (D2).

Attach Elliptical Base (D) to Top Panel (A) by using Screw (D8).

Attach the L-Bracket (A4/D5) to Elliptical Base (D) and Modesty Panel (B) and Top Panel (A) as shown. Tighten Screws (A6/C6) securely.

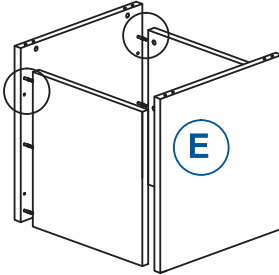
OfficeSource® ASSEMBLY INSTRUCTIONS

MODEL: PL137THALF + PL237THALF

1/2 RACETRACK / BOAT SHAPE TOP (REQUIRES BASE)

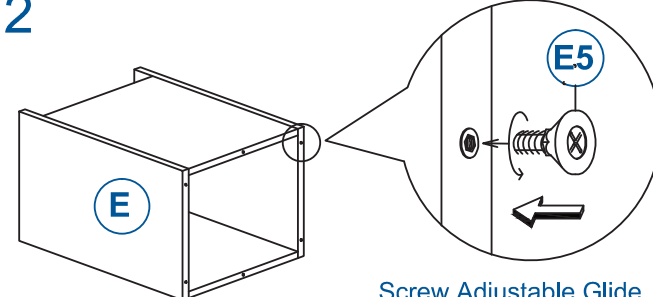
ASSEMBLING TABLE WITH ELLIPTICAL BASE

1



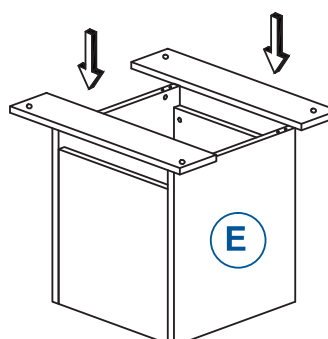
Attach Cube Base (E) by using Cam Lock (E1) and Klix Cam (E2).

2



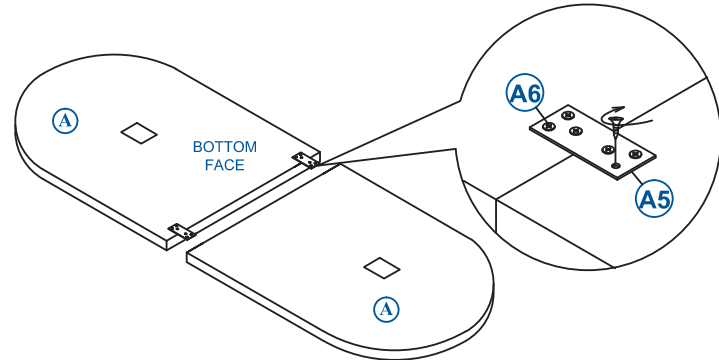
Screw Adjustable Glide (E5) into bottom of End Base (E).

3



Attach Cube Base Support (E) by using Cam Lock (E1) and Klix Cam (E2).

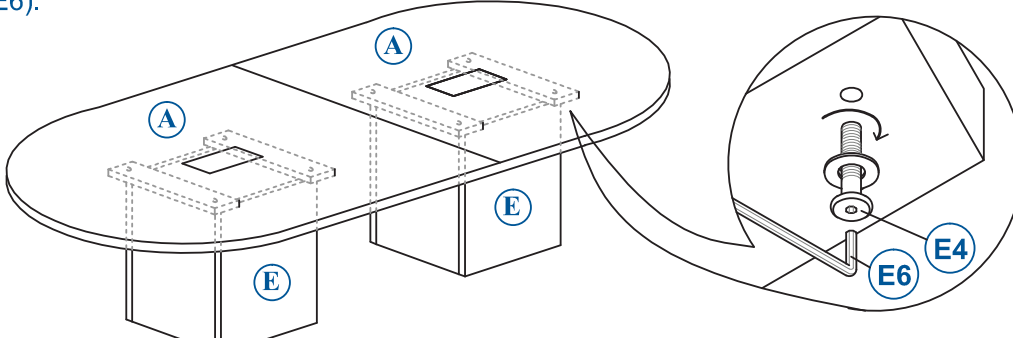
4



Attach the Flat-Bracket (A5) to two Top Panel (A) as shown. Tighten Screws (A6) securely.

5

Attach Top Panel (A) to Cube Base (E) by using JCBC Screw (E4) and tighten with Allen Key (E6).

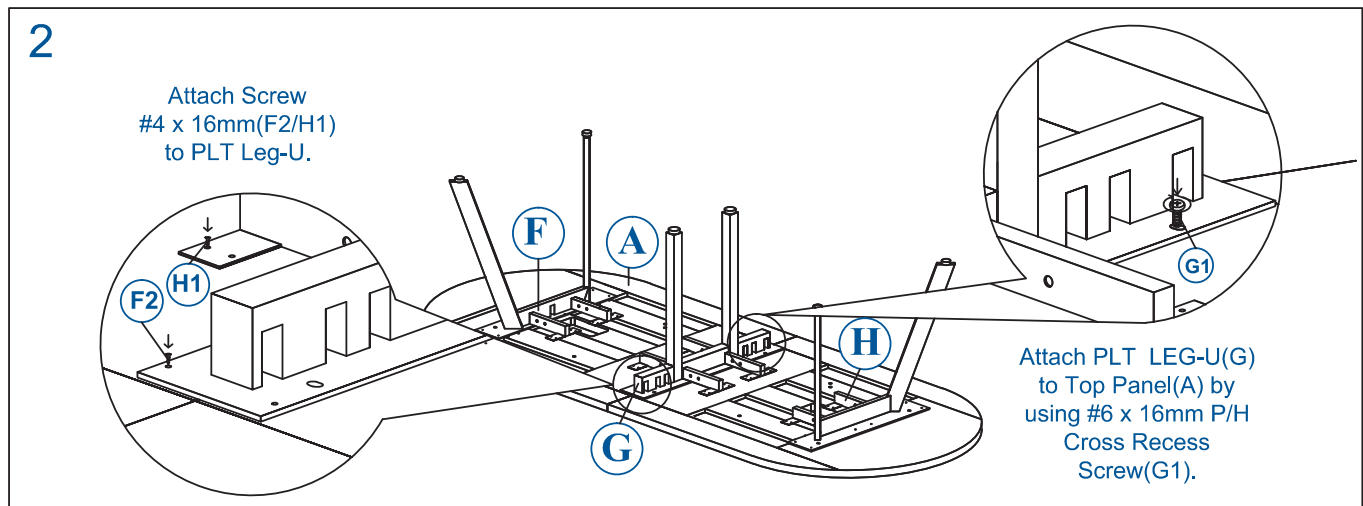
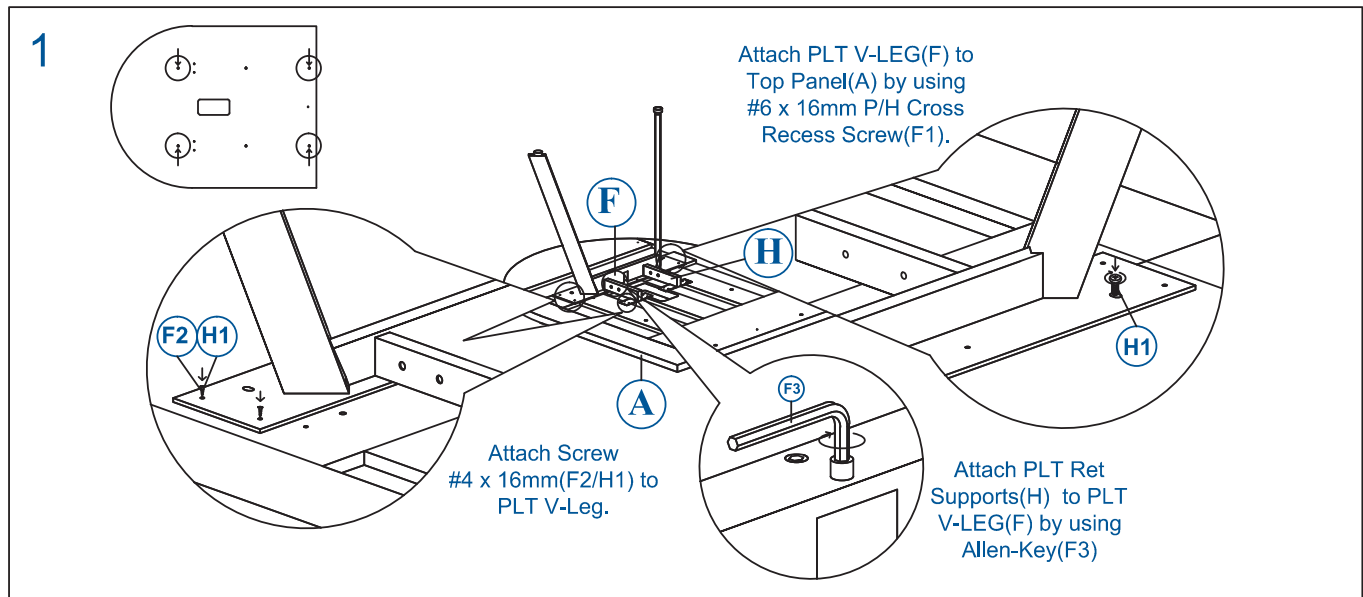


OfficeSource® ASSEMBLY INSTRUCTIONS

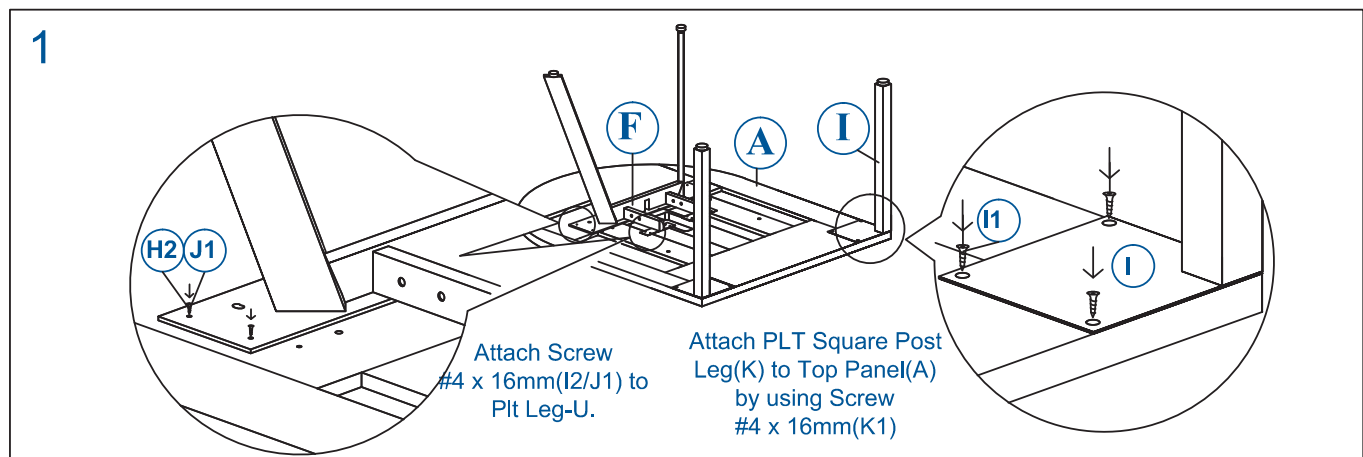
MODEL: PL137THALF + PL237THALF

1/2 RACETRACK / BOAT SHAPE TOP (REQUIRES BASE)

ASSEMBLING TABLE WITH V-LEG BASE



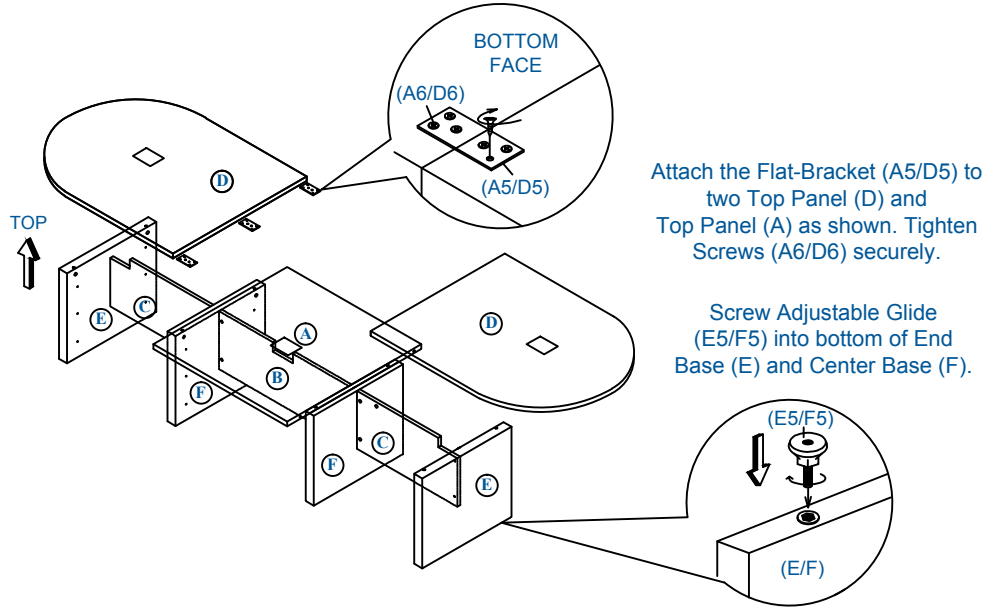
ASSEMBLING TABLE WITH V-LEG BASE + SQUARE POST LEG



MODEL: PL139

RACETRACK / BOAT SHAPE CONFERENCE TABLES (REQUIRES BASE)

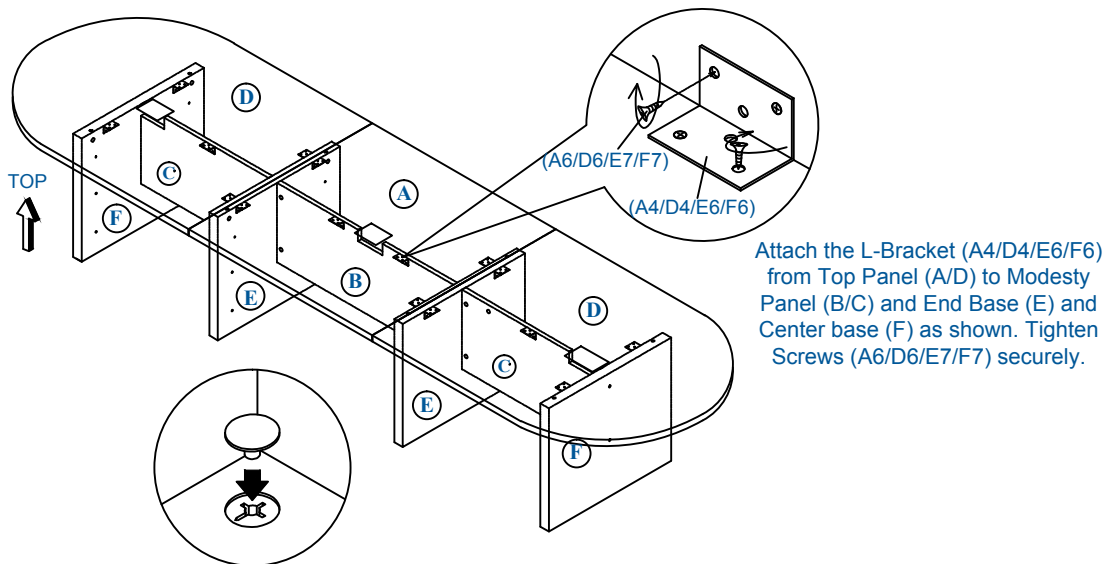
OPTION 1



Attach the Flat-Bracket (A5/D5) to two Top Panel (D) and Top Panel (A) as shown. Tighten Screws (A6/D6) securely.

Screw Adjustable Glide (E5/F5) into bottom of End Base (E) and Center Base (F).

Attach Center Base (F) to Modesty Panel (B) by using Cam Lock (E1/F1) and Klix Cam (E2/F2). Attach Modesty Panel (C) to Center Base (F) by using Cam Lock (E1/F1) and Klix Cam (E2/F2). Attach End Base (E) to Modesty Panel (C) by using Cam Lock (E1/F1) and Klix Cam (E2/F2). Attach Top Panel (A) & Top Panel (D) to Center Base (F) & End Base (E) & Modesty Panel (B/C) by using Cam Lock (E1/F1) and Klix Cam (E2/F2).



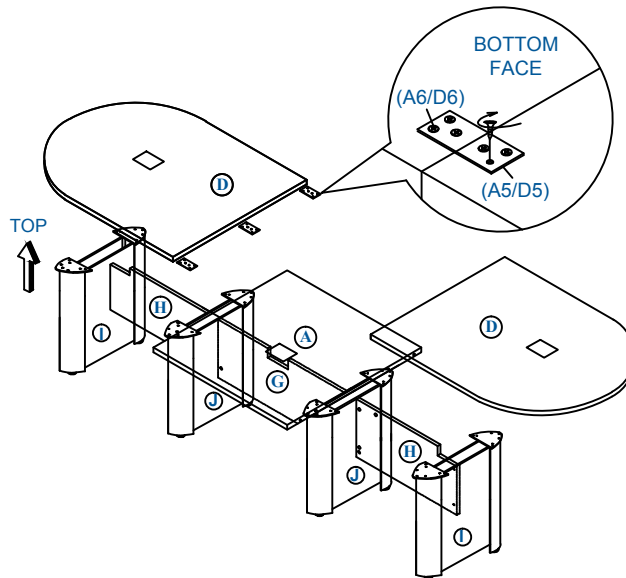
Attach the L-Bracket (A4/D4/E6/F6) from Top Panel (A/D) to Modesty Panel (B/C) and End Base (E) and Center base (F) as shown. Tighten Screws (A6/D6/E7/F7) securely.

Attach Housing Cap (A3/D3/E3/E4/F3/F4) to all Klix Cam (A2/D2/E2/F2) by pushing neck through center of cam.

MODEL: PL139

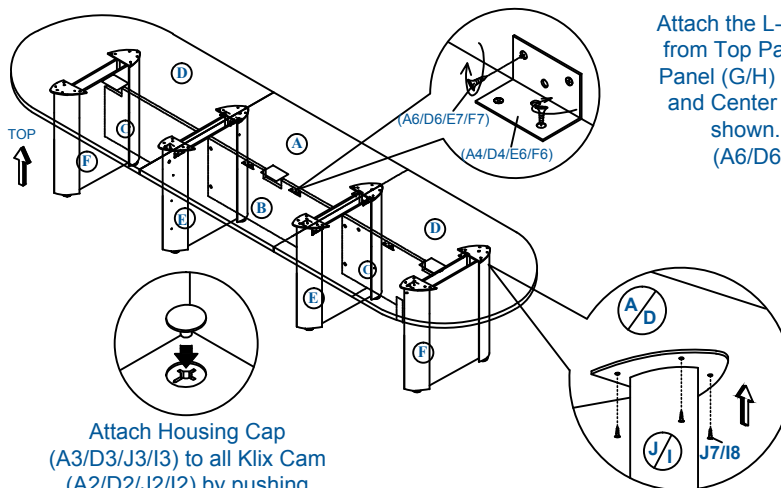
RACETRACK / BOAT SHAPE CONFERENCE TABLES (REQUIRES BASE)

OPTION 2



Attach the Flat-Bracket (A5/D5) to two Top Panel (D) and Top Panel (A) as shown. Tighten Screws (A6/D6) securely.

Attach Center Eleptical Base (J) to Modesty Panel (G) by using Cam Lock (J1/I1) and Klix Cam (J2/I2). Attach Modesty Panel (H) to Center Base (I) by using Cam Lock (J1/I1) and Klix Cam (J2/I2). Attach Eleptical Base (J) to Modesty Panel (H) by using Cam Lock (J1/I1) and Klix Cam (J2/I2). Attach Top Panel (A) & Top Panel (D) to Center Eleptical Base (I) & End Base (J) & Modesty Panel (G/H) by using Screw (J7/I8).



Attach the L-Bracket (A4/D4/J6/I5) from Top Panel (A/D) to Modesty Panel (G/H) and Eleptical base (I) and Center Eleptical base (J) as shown. Tighten Screws (A6/D6/J7/I8) securely.

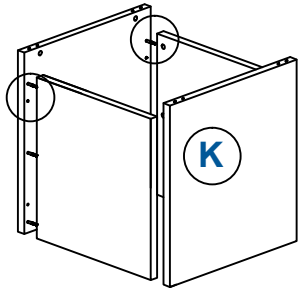
Attach Top Panel (A) & Top Panel (D) to Center Eleptical Base (I) & End Eleptical Base (J) & Modesty Panel (G/H) by using Screw (J7/I8).

Attach Housing Cap (A3/D3/J3/I3) to all Klix Cam (A2/D2/J2/I2) by pushing neck through center of cam.

MODEL: PL139

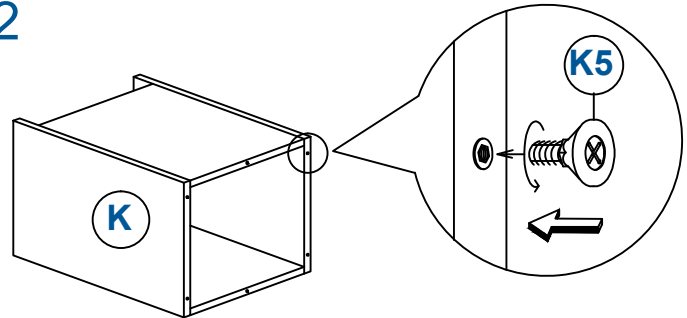
RACETRACK / BOAT SHAPE CONFERENCE TABLES (REQUIRES BASE)

1 OPTION 4



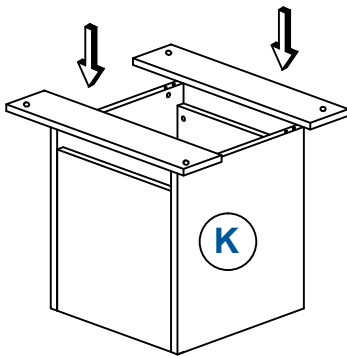
Attach Cube Base (K) by using Cam Lock (K1) and Klix Cam (K2).

2



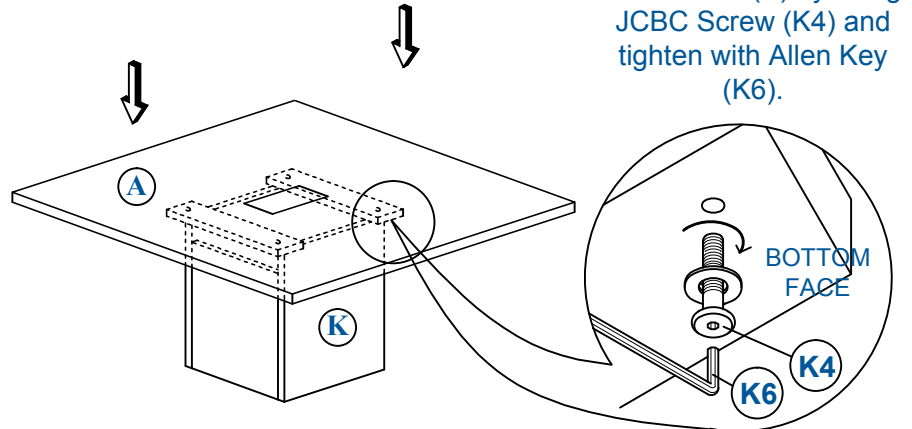
Screw Adjustable Glide (K5) into bottom of End Base (K).

3



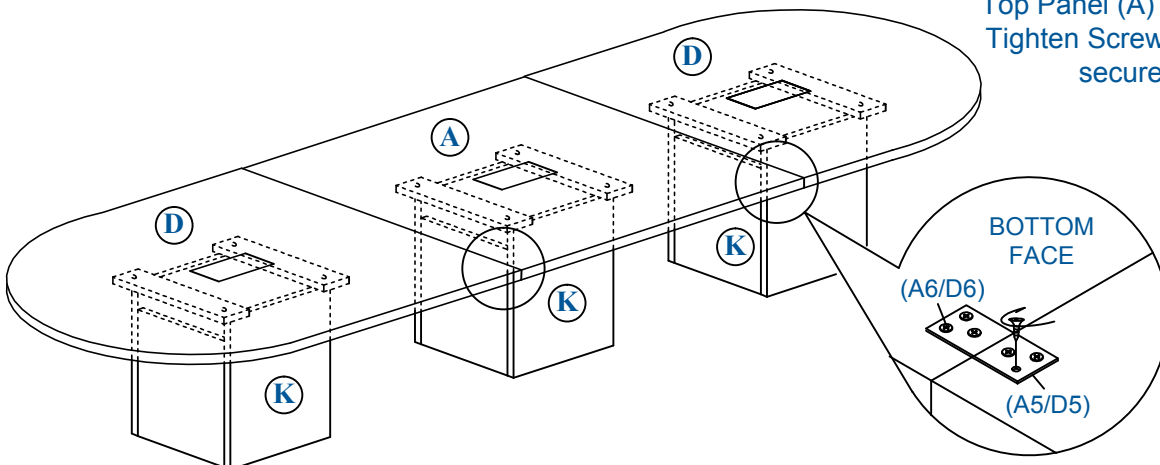
Attach Cube Base Support (K) by using Cam Lock (K1) and Klix Cam (K2).

4



Attach Top Panel (A) to Cube Base (K) by using JCBC Screw (K4) and tighten with Allen Key (K6).

5 OPTION 3



Attach the Flat-Bracket (A6/D6) to two Top Panel (D) and Top Panel (A) as shown. Tighten Screws (A5/D5) securely.