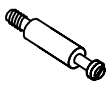





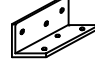

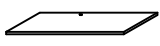


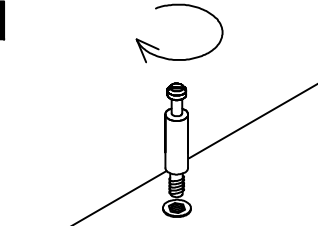
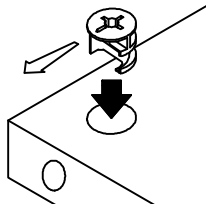
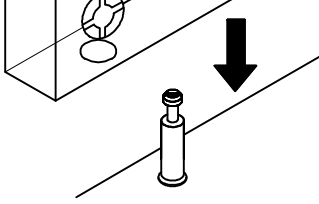
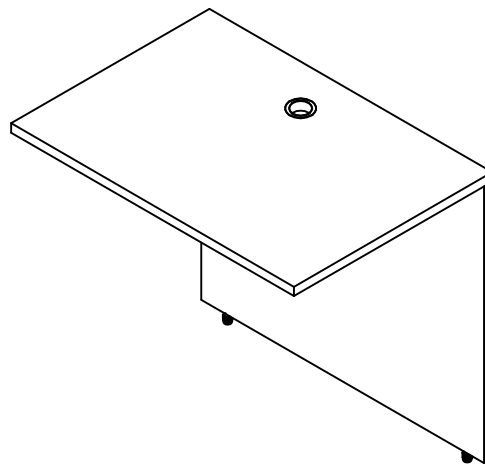


Please follow these instructions for easy assembly.

1  Cam Lock 2 Pcs	2  Klix Cam 2 Pcs	3  Housing Cap 2 Pcs	4  Adjustable Glide 2 Pcs	5  6 Hole L-Bracket 2 Pcs	6  Screw #6 x 5/8" 60 Pcs	7  3" L-Bracket With 6 Hole 2 Pcs	8  Flat Bracket (6 Hole) 6 Pcs
A  Top Panel		B  Back Panel		9  M4 x 65 Allen-Key 1 Pc			

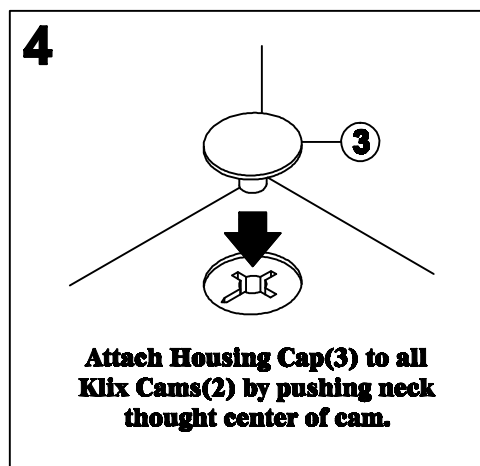
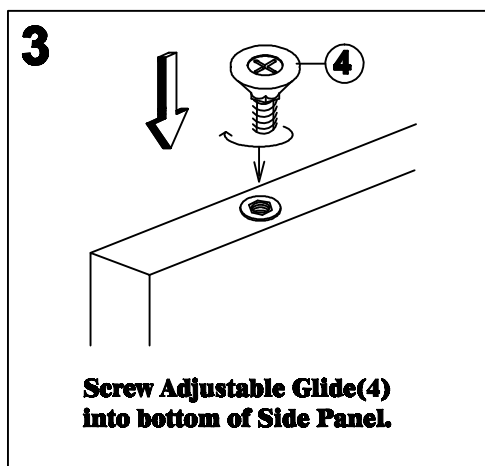
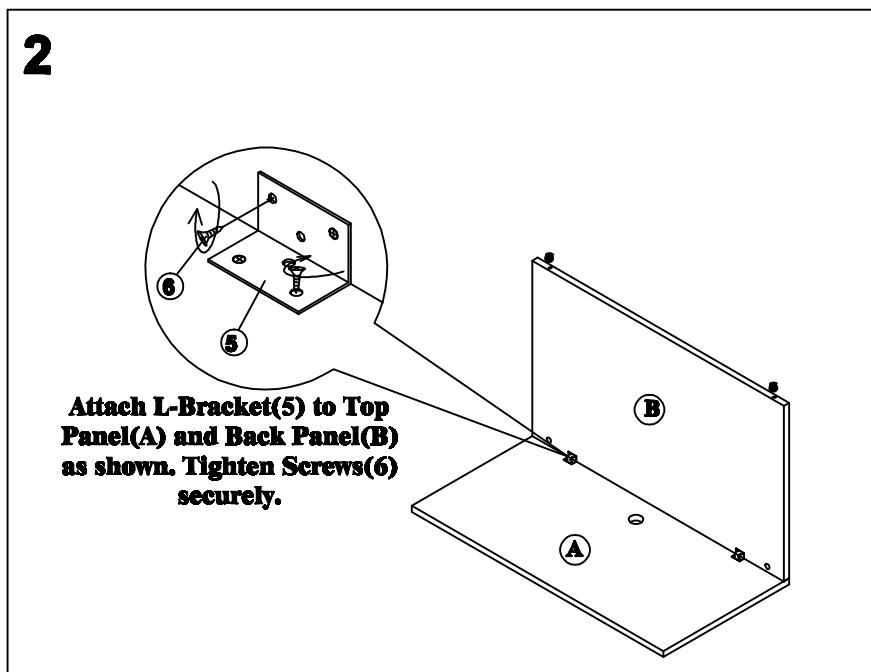
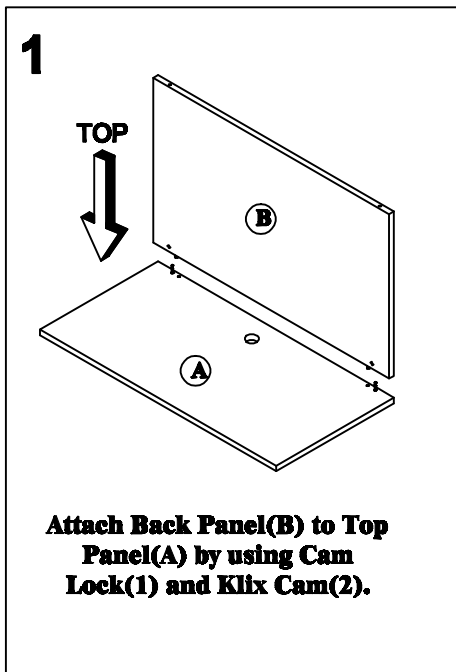
KLIX CAM INSTRUCTIONS

1  Line up Cam Lock, turn clockwise.	2  Insert the cam with the arrow pointing towards the hole in the edge.	3  Insert the Cam Lock into Klix Cam. Turn Klix Cam to lock.
--	---	--



IMPORTANT !

- Place all wooden parts on a clean and smooth surface such as a rug or carpet to avoid the parts from being scratched.
- Check that you have all parts and hardware.
- Remove all wrapping materials, including staples & packing straps before you start to assemble.
- Do not tighten any screws or bolts until the unit is completely assembled.
- Keep all hardware parts out of reach of children.



Additional hardware enclosed to allow you to attach this bridge to other pieces.