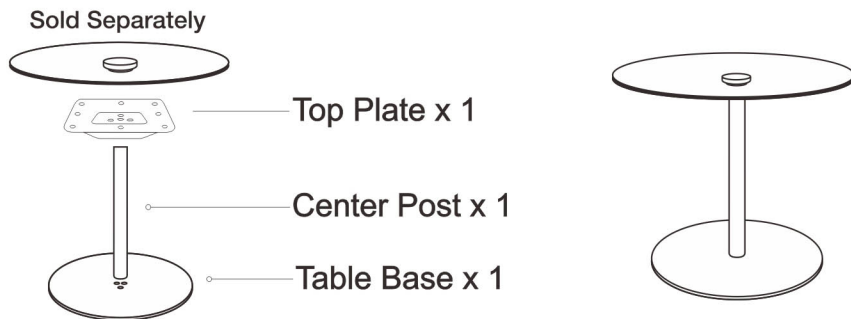


# Assembly Instructions





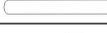




MODEL: PLTRBBASE23+PLTRBPOST19/28/41(GLASS TOP)

Thank you for purchasing the Brushed Metal Round Table Base

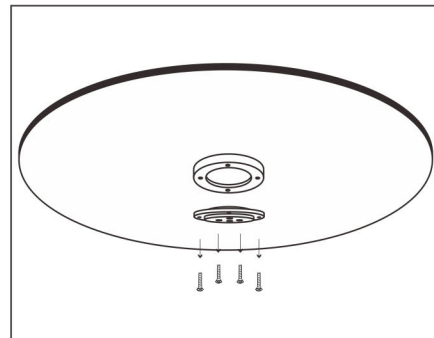
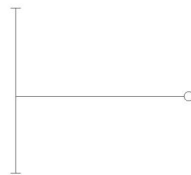
Before assembly, please remove all parts from the carton and verify that you have correct quantities.



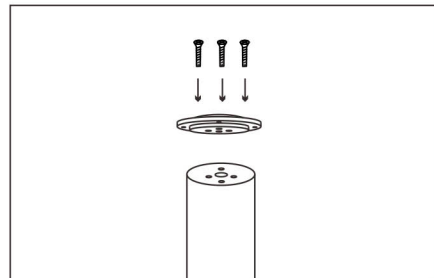
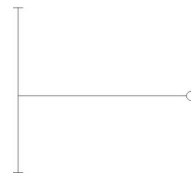
## TABLE BASE PARTS LIST

	Bolt M8*40	6pcs
	Bolt M6*15	4pcs
	Allen key	2pcs
	Wood Screw M4*25	8pcs
	Center Post	1pc
	Washers	3pcs
	Top Plate	1pc
	Glass Top (Separate)	1pc
	Table Base	1pc

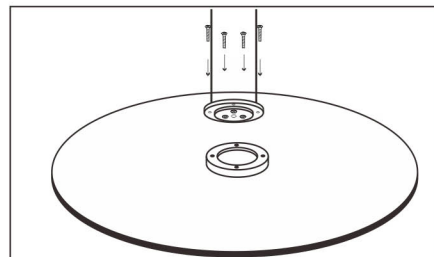
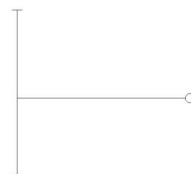
1. Remove M6\*15 bolts from glass top adapter with allen key.



2. Attach the adapter to the top of the post with 3\*M8\*40mm bolts with allen key.



3. Attach the post to the glass top with 4\*M6\*15mm bolts with smaller allen key.



4. Attach base to center post using 3\*M8\*40 bolts and washers with allen key.  
Please note: wood screws and top plate are not used when using glass top.

