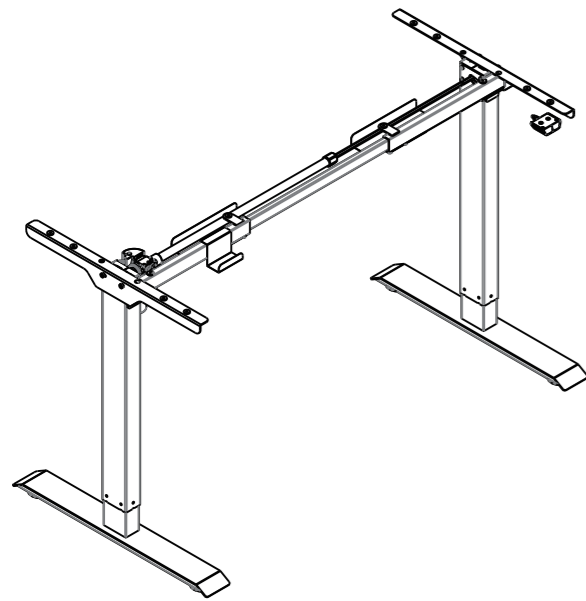


Item No. : **WS214EN**
Installation guide



Technical data

| | |
|------------------------|--|
| Column Number | 2 |
| Maximum Load | 70KG |
| Max Speed | 25mm/s |
| Input Voltage | 100-240V |
| Lowest Position | 710mm |
| Highest Position | 1210mm |
| Desktop Size | 1000-1600mm 500-800mm |
| Duty Cycle | Continuous operation for 2 mins at most after pause for 18 mins |
| Applicable Temperature | 0~40°C |

Accessory list

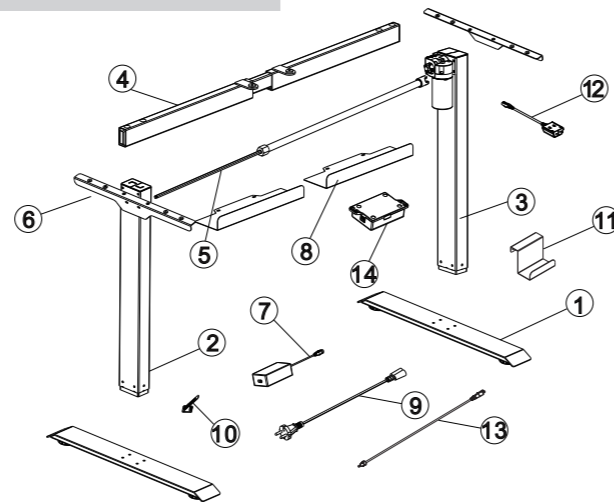
Attention: The drawings below are only for reference which might be slightly different from the actual object, please in kind prevail. Any tools missing or installation problems, please contact the customer service firstly.



Part list

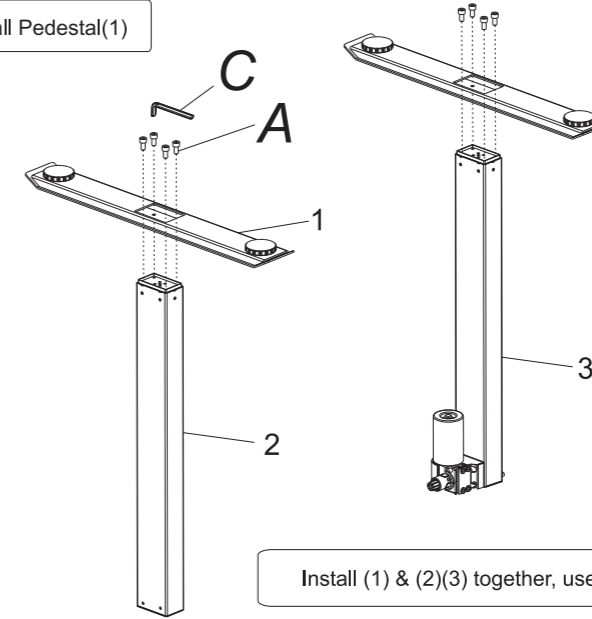
| No. | Part | Qty | No. | Part | Qty | No. | Part | Qty |
|-----|-----------------|-----|-----|------------------|-----|-----|------------------|-----|
| ① | Pedestal | 2 | ② | Left Column | 1 | ③ | Right Column | 1 |
| ④ | Supporting beam | 1 | ⑤ | Transmission rod | 1 | ⑥ | Supporting plate | 2 |
| ⑦ | Adapter | 1 | ⑧ | Baffle | 2 | ⑨ | Power cable | 1 |
| ⑩ | Cable tie | 4 | ⑪ | Adaptor holder | 1 | ⑫ | Handset | 1 |
| ⑬ | Switch cord | 1 | ⑭ | Control Box | 1 | | | |

Installation instruction



STEP1

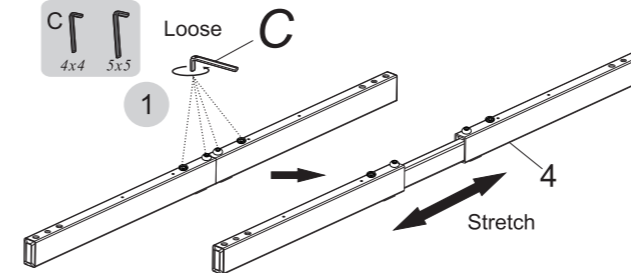
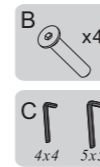
Install Pedestal(1)



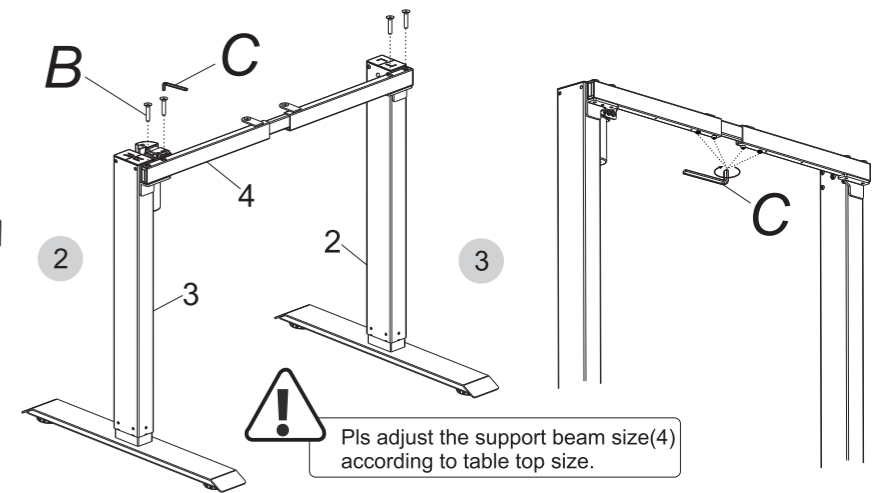
Install (1) & (2)(3) together, use 5*5 wrench(C) to tighten the screws(A).

STEP2

Install Supporting beam(4)



Loose screws on (4) with wrench 4x4(C), then stretch supporting beam

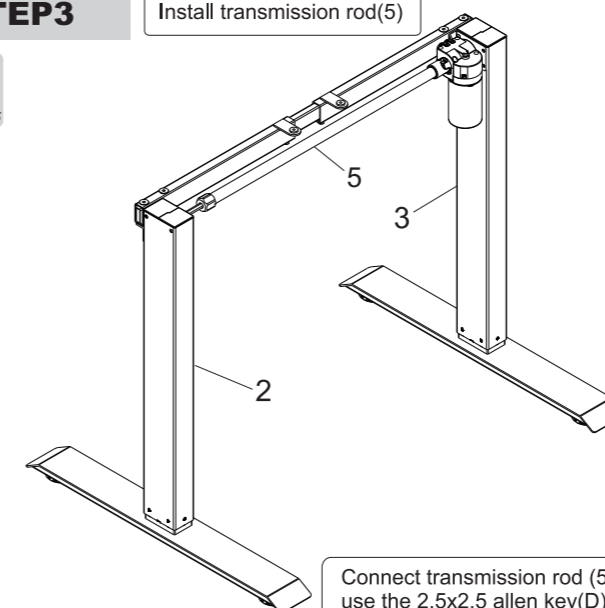


Install supporting beam on the column (2)(3), tighten screw (B) with wrench 5x5 (C)

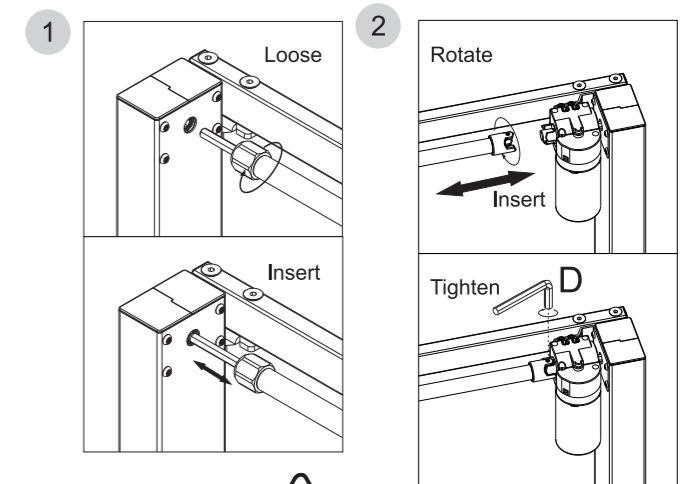
Tighten screws on supporting beam with wrench 4x4(C)

STEP3

Install transmission rod(5)



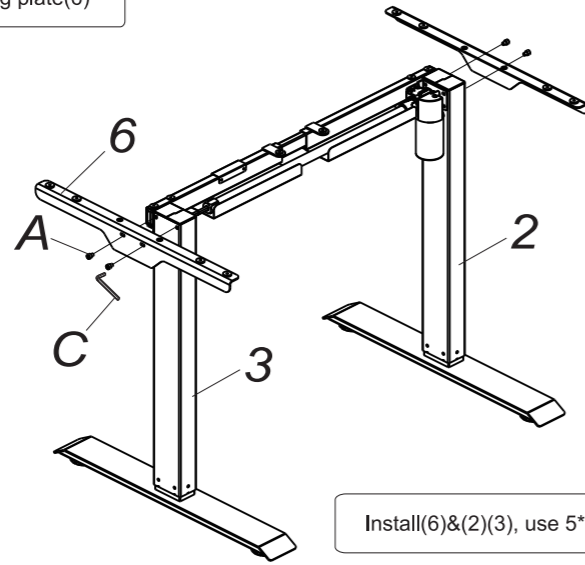
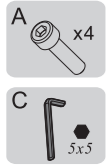
Connect transmission rod (5) with columns (2)(3), and use the 2.5x2.5 allen key(D) to tighten it.



Do not rotate the angle exceed one third of the circle.

STEP4

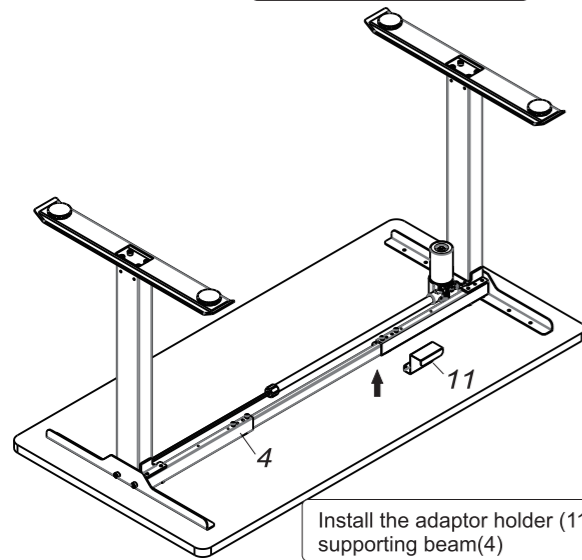
Install supporting plate(6)



Install(6)&(2)(3), use 5*5 wrench(C) to tighten the screws(A).

STEP5

Install the power adaptor



Install the adaptor holder (11) to the supporting beam(4)

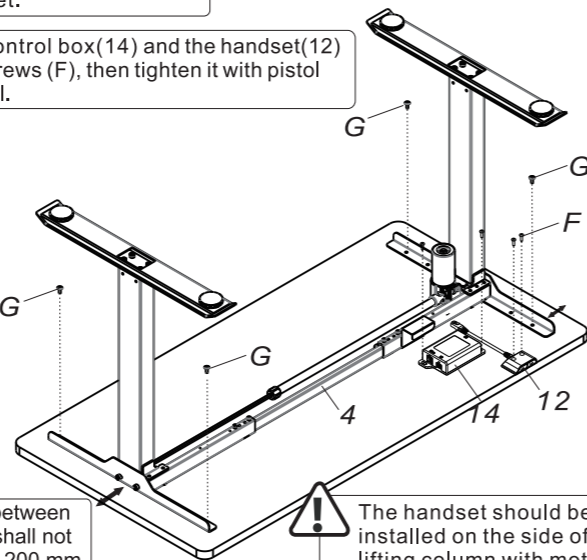
Install the tabletop, control box and handset.

Connect control box(14) and the handset(12) with the screws (F), then tighten it with pistol electric drill.



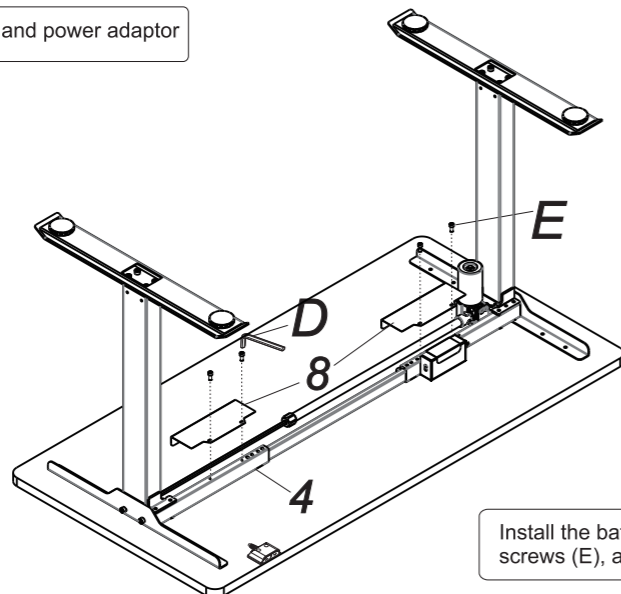
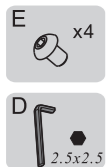
The distance between the two sides shall not be longer than 200 mm.

The handset should be installed on the side of the lifting column with motor.

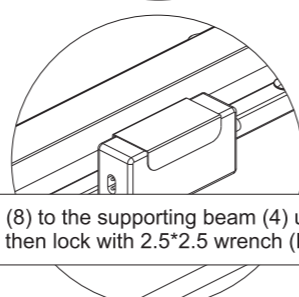
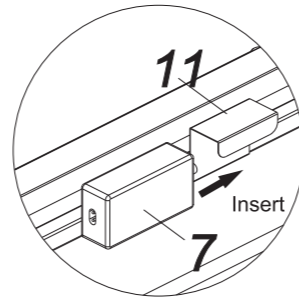


STEP6

Install baffle and power adaptor

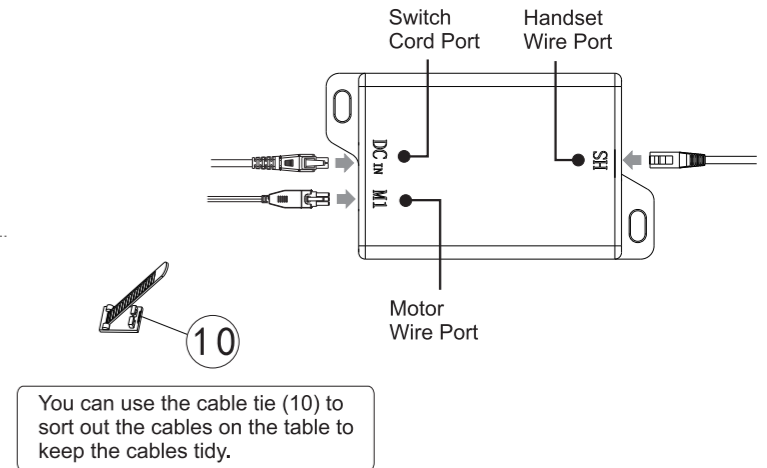
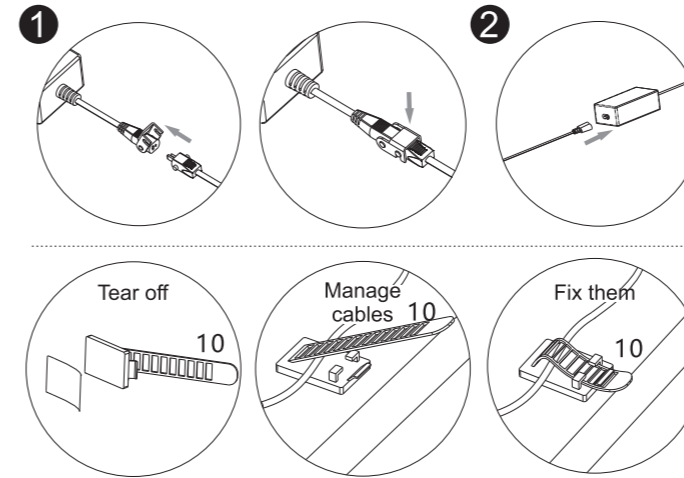
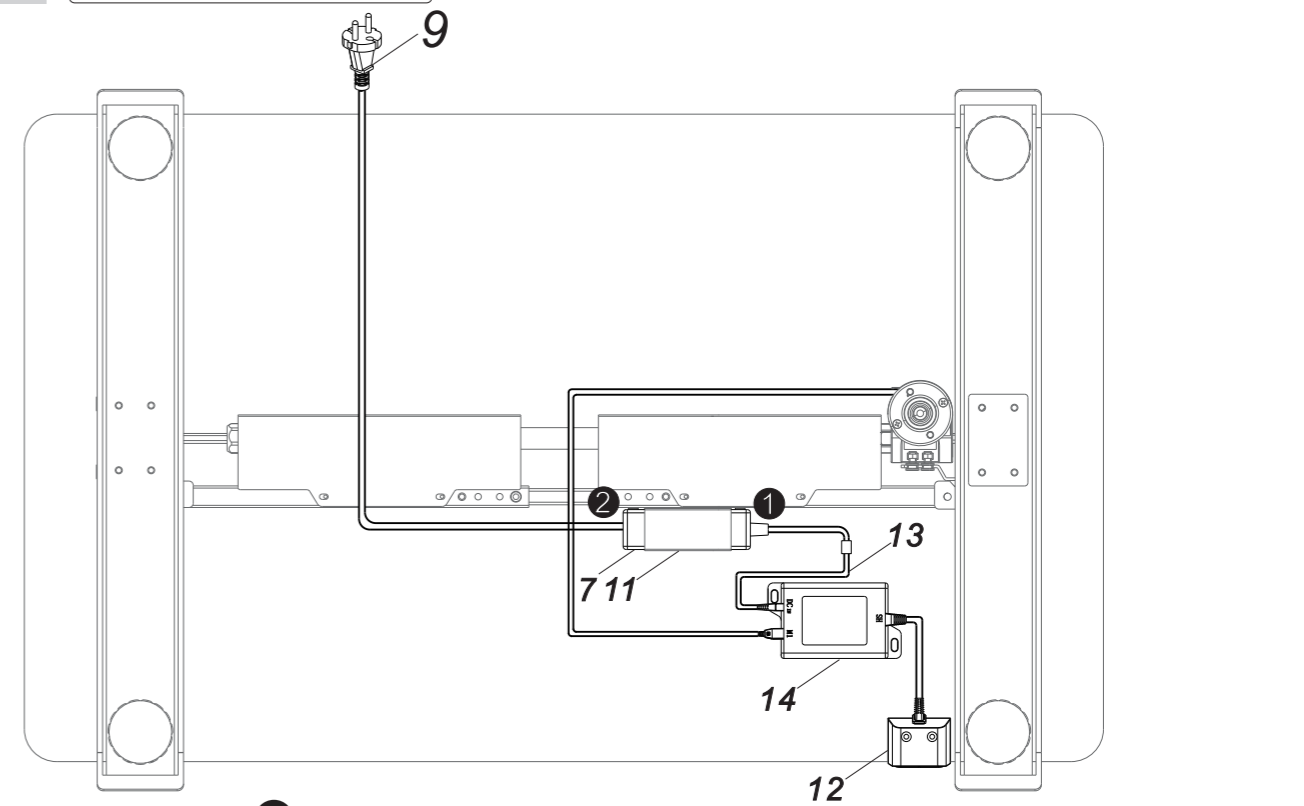


Install the baffle (8) to the supporting beam (4) using screws (E), and then lock with 2.5*2.5 wrench (D).



STEP7

Connect all cables to the adaptor (7)



Common fault treatment

The following tips will help you detected and eliminate the common fault and error. If the error you meet is not on the list, please contact our customer service.

| Error | Method |
|--|---|
| No response while pressing | Check if all the cables well connected; |
| Rising in a low speed | Check if overloaded, max loading: 70kg; |
| The desktop moving towards the opposite direction as ordered | Reset; |
| The desk moving downwards without any operation | Check if overloaded, max loading: 70kg; |
| Automatically Self-Reset | Check whether the power wire is still well connected; |
| Overload Operation | Restart after suspend for 18mins while connecting with power; |
| Can't reach the min or max height | Reset; |

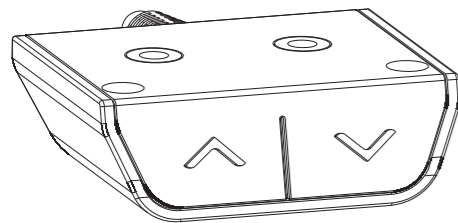


Attention

1. Power supply: AC100V-240V,50/60Hz
2. Service Environment: 0-40°C
3. Unplug the power plug before cleaning, wipe the dust on surface with slight wet dishcloth when cleaning, be careful not to let the drops into the internal parts, not loose the connector.
4. The electric box contains electronic components, metals, plastics, wires etc., so dispose of it in accordance with each country's environmental legislation, not the general household waste.
5. Check carefully to ensure correct and complete assembly before using.
6. Be familiar with all functions and program settings of the product before first use.
7. Children are forbidden to play on the product because of unforeseen action when playing, so any dangerous consequences caused by this improper action will not be on manufacturers.
8. Slight noise caused by the V-ribbed belt or brake system due to structure will not have any effect on the use of the equipment.
9. Corrosive or abrasive materials are forbidden to clean the equipment. Must ensure that the cleaner used will not pollute the environment.
10. This appliance can be used by children aged from 8 years and above and persons with reduced physical, sensory or mental capabilities or lack of experience and knowledge if they have been given supervision or instruction concerning use of the appliance in a safe way and understand the hazards involved. Children shall not play with the appliance.
11. Cleaning and user maintenance shall not be made by children without supervision.
12. If the supply cord is damaged, it must be replaced by the manufacturer, its service agent or a similarly qualified person in order to avoid a hazard.
13. Please make sure there is no hazard sources in your operating environment. e.g., do not litter the tools around. Always be careful to treat the packaging materials in order to avoid any possible danger, e.g. plastic bag may lead to choking hazard to children.
14. Keep the original package of the equipment if necessary in case of the future use in transportation.

How to use handswitch

Button



1. Button introduction: There are two buttons that "▲", "▼".
 (1) "▲": Adjust the desk upwards;
 (2) "▼": Adjust the desk downwards;

- Reset
 - a. When the desk is at the lowest position, long press the "▼" button for 5 seconds to enter the reset mode, the reset will be completed until the lifting system reached bottoms then rebounds to stop.
 - b. When the lifting system fails, release the button, long press the "▼" button, the reset will be completed until the lifting system reached bottoms then rebounds to stop.
- Lifting
 - a. Press "▲" or "▼" button to adjust the height of the desk.
 - b. Hold "▲" or "▼" button for more than 1.2 seconds to enter automatic lifting mode, then press any button to stop lifting (this function is optional, the default software does not have this function).
- Troubleshooting

If there is no response after pressing the "▲" or "▼" button after working for a period of time, please rest for more than 18 minutes before using it again.

Waste disposal



This marking indicates that this product should not be disposed with other household wastes. To prevent possible harm to the environment or human health from uncontrolled waste disposal, recycle it responsibly to promote the sustainable reuse of material resources. To return your used device, please use the return and collection systems or contact the retailer where the product was purchased. They can take this product for environmental safe recycling.



NDI Customer Service Number
(800) 229-3375